

**REFRIGERATOR MANUFACTURER**  
**Turbo air**  
 more durable, efficient, beautiful

4184 E. Conant St.  
 Long Beach, CA 90808  
 Tel. 310-900-1000  
 Fax. 310-900-1077  
[www.turboairinc.com](http://www.turboairinc.com)

Project:	
Model #:	
Item #:	
Available W/H:	Qty:
Approval:	
AIA #:	SIS #:
CSI Section 11400	

## Dual Temp. Undercounter

Side Mount Undercounters  
 J Series

**Model : JURF-72-N**




### FEATURES & BENEFITS

- Digital temperature control & monitor system**  
 Keep food products safe by maintaining constant temperatures. External digital display allows for easy monitoring.
- Hydrocarbon refrigerants (R-290)**  
 With innovative and eco-friendly technology, Turbo Air brings you hydrocarbon refrigerators designed to meet DOE's Energy Conservation Standards in 2017 and to use EPA's SNAP Program approved HC refrigerants. Hydrocarbon refrigerants do not deplete the ozone layer and have very low contribution to global warming (ODP-0, GWP-3).
- Side mount compressor unit**  
 With compressors positioned on the side of the unit, our refrigerators can now be serviced without being moved. Our innovative, front breathing feature also allows this model to be highly efficient in narrow spaces.
- Exterior & interior of the cabinet**  
 The Turbo Air J series boasts a stainless steel exterior (galvanized steel back and bottom). Interior is stainless steel floor with AL sides, back and AL door liners. It guarantees the utmost in cleanliness and long product life. The J series adds a touch of style to the most refined setting.
- Hot gas condensate system**  
 Through Turbo Air's creative innovation, the condensate system surfaces have been specially treated to resist corrosion. This not only increases efficiency without the risk of refrigerant leakage from corrosion, but also thoroughly prevents the overflow of condensate water.
- Adjustable, heavy duty, PE (polyethylene) coated wire shelves**
- LED interior lighting & fan control**  
 Energy efficient LED lighting lights every corner, making items easy to find. Fan control function automatically shuts off the fan when the door is open, which prevents hot air from being drawn in, thus maintaining the cool inner temperature.
- High-density polyurethane insulation**  
 The entire cabinet structure and solid doors are foamed-in-place using high density, CFC free polyurethane insulation.
- Ergonomically designed doors**  
 Customers' fatigue fades away with easy grip handles and doors that open effortlessly. These features along with self-closing doors make this the ultimate choice in customer convenience.
- Magnetic door gaskets**  
 Magnetic door gaskets are of one-piece construction, removable without tools for ease of cleaning and replacement.
- Easy open front grille with condenser cleaning brush kit**  
 Front grille cover is easily removable without any tools, which makes condenser cleaning easy and convenient at any time. Handy condenser cleaning brush is included inside the front grille cover.
- Refrigerator holds 33°F ~ 39°F and freezer holds -10°F ~ 0°F for the best in food preservation**



Model	Swing Doors	Refrigerator CU./FT.	Freezer CU./FT.	#of Shelves	HP	AMPS	Crated Weight (lbs.)	L x D* x H† (inches)
<b>JURF-72-N</b>	<b>3</b>	<b>12.4</b>	<b>5.3</b>	<b>3</b>	<b>3/8</b>	<b>3.5</b>	<b>295</b>	<b>707/8 x 271/2 x 283/4</b>

## Model : JURF-72-N

ELECTRICAL DATA	
Voltage	115/60/1
Plug Type	 NEMA 5-15P
Full Load Amperes	3.5
Compressor HP	3/8
Cord Length (ft.)	9.2
Refrigerant	R-290
DIMENSIONAL DATA	
Ref. Net Capacity (cu. ft.)	12.4
Freezer Net Capacity (cu. ft.)	5.3
Ext. Length Overall (in.)	70 <sup>7</sup> / <sub>8</sub> (1800mm)
Ext. Depth Overall (in.)*	27 <sup>1</sup> / <sub>2</sub> (699mm)
Ext. Height Overall (in.)†	28 <sup>3</sup> / <sub>4</sub> (730mm)
# of Doors	3
# of Shelves	3
Shelf Size (L x D) (in.)	15 <sup>1</sup> / <sub>2</sub> x 20 <sup>1</sup> / <sub>4</sub> (Left)
	15 <sup>1</sup> / <sub>2</sub> x 17 <sup>7</sup> / <sub>8</sub> (Middle/Right)
Net Weight (lbs.)	275
Gross Weight (lbs.)	295

Design and specifications subject to change without notice.

Actual shipping weight may differ due to extra packing materials for product protection.

\* Depth does not include 1" for rear spacers.

† Height does not include 5" for caster height.

■ **WARRANTY : 2 Year Parts and Labor Warranty  
Additional 3 Year Warranty on Compressor**

### ■ STANDARD FEATURES

- Anti-corrosion coated evaporator
- Self-contained system
- Standard 4" dia. swivel casters with locks on the front set

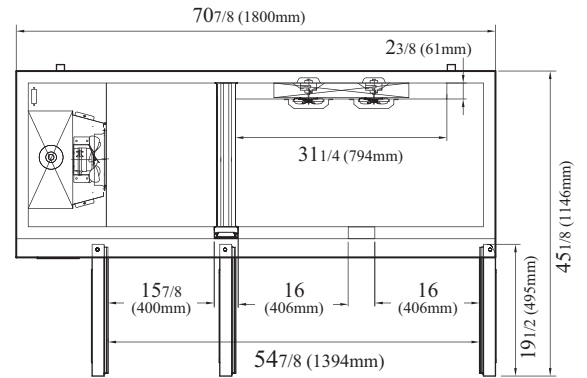
### ■ OPTIONAL ACCESSORIES

- 1" caster, ½" diameter & 13 TPI: S28R813660 (non-brake)
- 2.5" caster, ½" diameter & 13 TPI: 30265H0100 (non-brake), 30265H0200 (w/ brake)
- 5" caster, ½" diameter & 13 TPI: M726500100 (non-brake), M726500200 (w/ brake)
- Leveling leg, ½" - 13 TPI x 1.54": LFM1213566
- 6" ABS plastic leg: 30221M0200
- 6" stainless steel leg: 30221M0600
- Additional PE coated wire shelf: KR29000100 (Left), KRF8700100 (Middle/Right)
- **Door lock: lead time applies. Please contact your sales representative for more details to order.**

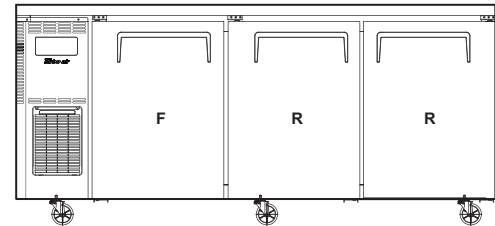
Ver.20210106

## PLAN VIEW

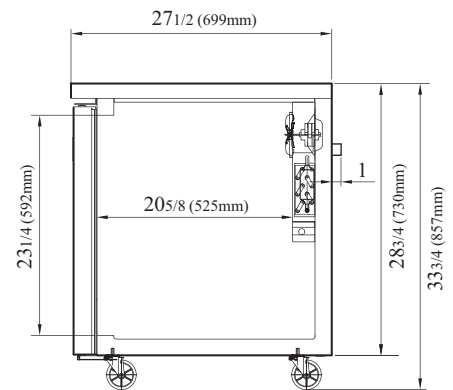
(unit : inch)



TOP VIEW



FRONT VIEW



SIDE VIEW



- Turbo Air : 800-627-0032
- GK : 800-500-3519
- Warranty : 800-381-7770
- AC : 888-900-1002

