

REFRIGERATOR MANUFACTURER
Turbo air
 more durable, efficient, beautiful

4184 E. Conant St.
 Long Beach, CA 90808
 Tel. 310-900-1000
 Fax. 310-900-1077
www.turboairinc.com

Project :	
Model # :	
Item # :	Qty :
Available W/H :	
Approval :	

Combination Case

Display Cases
 Open Display Merchandisers

Patented Self-Cleaning Condenser



This product is equipped with a fine mesh filter to the front of the condenser to catch dust, and a rotating brush that moves up and down daily to remove excess buildup outward and away.



Model : TOM-W-40SB-N

**TWO FUNCTIONS IN
 ONE REFRIGERATOR**
 (Refrigerated Merchandiser +
 Refrigerated Top Display Case)

FEATURES & BENEFITS

Self-Cleaning Condenser

The accumulation of dust in the condenser can cause the failure or breakdown of refrigerators. Refrigerators run normally until they reach a certain level of accumulation. At some point, when they are over the limit, their performance drops quickly resulting in damage to, or disposal of the stored products inside. The Self-Cleaning Condenser device keeps the condenser clean and prevents system failure by automatically brushing daily.

Hydrocarbon refrigerants (R-290)

With innovative and eco-friendly technology, Turbo Air brings you hydro- carbon refrigerators designed to meet the new standards of the EPA and DOE in 2017. Hydrocarbon refrigerants do not deplete the ozone layer and have very low contribution to global warming (ODP-0, GWP-3).

Modern design

By integrating great contours with durable structures, our modern style product designs are user-friendly while maintaining the highest product visibility and aesthetics. Safety reinforced tempered glass front shield and top display case optimize the merchandiser's display effects of fresh salads, sandwiches, desserts and beverages. Its elegant contemporary euro design will enhance any store application.

Designed to enhance impulsive sales

Ideal for eye-catching displays and convenient access with fast service in high traffic area.

Stainless steel interior standard including back wall and deck pans

Stainless steel solid shelves standard

Standard back-guard improves airflow

Foamed with polyurethane, high-density cell insulation (CFC Free)

Perforated interior back wall and top for improved airflow

Front air intake and rear air discharge



Model	CU./FT. (Top / Bottom)	HP	AMPS	Crated Weight (lbs.)	L x D x H (inches)
TOM-W-40SB-N	4.2 / 6.4	3/4	6.9	535	387/8 x 34 x 56 1/2

Model : TOM-W-40SB-N

ELECTRICAL DATA	
Voltage	115/60/1
Plug Type	ⓘ NEMA 5-15P
Full Load Amperes	6.9
Compressor HP	3/4
Refrigerant	R-290
DIMENSIONAL DATA	
Net Capacity (Top / Bottom) (cu. ft.)	4.2 / 6.4
Ext. Length Overall (in.)	38 7/8 (987mm)
Ext. Depth Overall (in.)	34 (864mm)
Ext. Height Overall (in.)	56 1/2 (1435mm)
Int. Dimensions (L x D x H) (Top) (in.)	35 5/8 x 13 x 15 3/4
Int. Dimensions (L x D x H) (Bottom) (in.)	35 5/8 x 24 x 13 7/8
Net Weight (lbs.)	425
Gross Weight (lbs.)	535
# of Shelves	2
Shelf Size (in.)	34 1/2 x 11 5/8 35 x 9 3/4 (Step)
Power Cord Length (in.)	59 1/8

Design and specifications subject to change without notice.
Actual shipping weight may differ due to extra packing materials for product protection.

WARRANTY : 2 Year Parts and Labor Warranty
Additional 3 Year Warranty on Compressor

STANDARD FEATURES :

- Anti-corrosion coated evaporator
- Simple plug-in installation
- Patented self-contained system, no plumbing required
- Standard color comes in black only
- Solar powered digital thermometer
- Digital electronic thermostat with defrost control
- LED interior lighting
- Recommended operating conditions:
TOM models are designed to operate in an environment where temperature & humidity do not exceed 75°F and 55% respectively. Units should not be installed near HVAC vents, fans or doorways that will disrupt the air curtain and compromise the function of the cabinet. Air curtain models will run most efficiently when completely loaded with product.

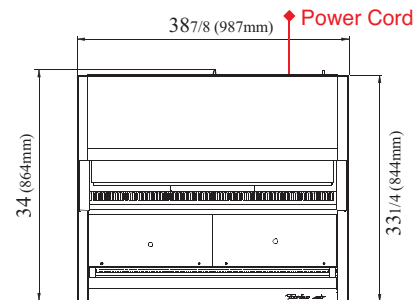
OPTIONAL ACCESSORIES :

- Price tag channel: PW40000ZK (34 1/4"L)
- * Night Cover (NCT) is not applicable to TOM-W models.

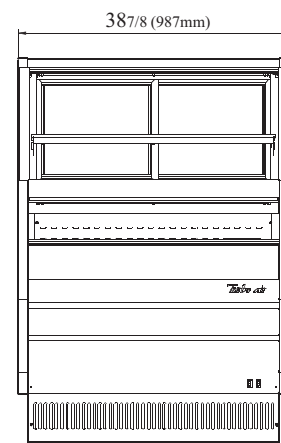
Ver.20180326

PLAN VIEW

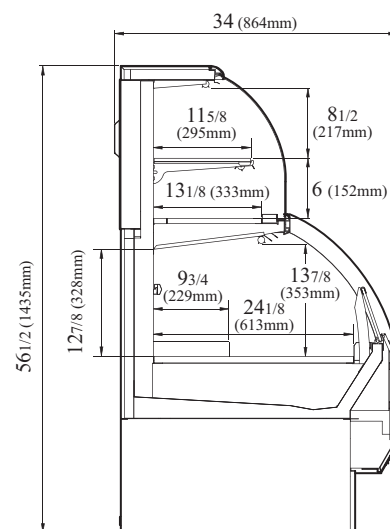
(unit : inch)



TOP VIEW



FRONT VIEW



SIDE VIEW



- Turbo Air : 800-627-0032
- GK : 800-500-3519
- Warranty : 800-381-7770
- AC : 888-900-1002