

**REFRIGERATOR MANUFACTURER**  
**Turbo air**  
 more durable, efficient, beautiful

4184 E. Conant St.  
 Long Beach, CA 90808  
 Tel. 310-900-1000  
 Fax. 310-900-1077  
[www.turboairinc.com](http://www.turboairinc.com)

Project :	
Model # :	
Item # :	Qty :
Available W/H :	
Approval :	

## Curved Glass Bakery Cases

Display Cases  
 Bakery Cases - Dry Cases

**Model : TCGB-36DR-W(R)**



\* Red wine and white color come standard  
 \* Image shown here TCGB-36-W(R)-N (refrigerated)

### ≡ FEATURES & BENEFITS ≡

- **Attractive, elegant, glass sided Euro design**  
 Curved tempered front glass and minimal frame provide full product visibility to optimize display effects. Its elegant contemporary euro design and luxurious wine colored case will not only enhance any store atmosphere but also will keep product presentation at its best and most beautiful.
- **High-density polyurethane insulation**  
 The entire cabinet structure is foamed-in-place using high density, CFC free polyurethane insulation.
- **Low-E coated double pane glass is tempered for safety**
- **Heavy duty, white PE coated wire shelves**
- **Cantilever wired shelves adjustable up and down, tilted**
- **LED lighting interior**
- **Stainless steel floor and airflow grille**
- **Sliding rear doors for product loading & unloading**



Model	CU./FT.	# of Shelves	HP	AMPS	Crated Weight (lbs.)	L x D x H (inches)
<b>TCGB-36DR-W(R)</b>	<b>11.8</b>	<b>2</b>	<b>-</b>	<b>0.4</b>	<b>532</b>	<b>36 1/2 x 34 1/4 x 50 1/8</b>

# Curved Glass Bakery Cases

Display Cases  
Bakery Cases - Dry Cases

## Model : TCGB-36DR-W(R)

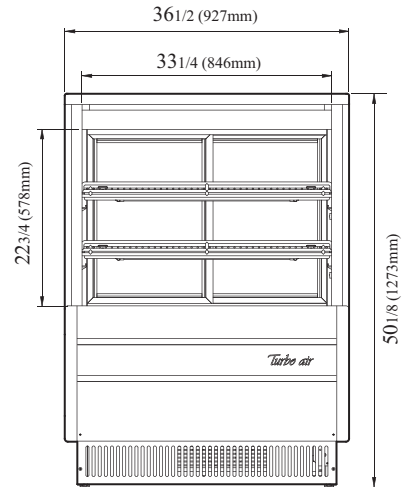
ELECTRICAL DATA	
Voltage	115/60/1
Plug Type	Ⓜ NEMA 5-15P
Full Load Amperes	0.4
Compressor HP	-
Refrigerant	N/A
DIMENSIONAL DATA	
Net Capacity (cu. ft.)	11.8
Ext. Length Overall (in.)	36 1/2 (927mm)
Ext. Depth Overall (in.)	34 1/4 (870mm)
Ext. Height Overall (in.)	50 1/8 (1273mm)
Int. Length Overall (in.)	33 1/4 (846mm)
Int. Depth Overall (in.)	27 3/4 (705mm)
Int. Height Overall (in.)	22 3/4 (578mm)
Net Weight (lbs.)	336
Gross Weight (lbs.)	532
# of Shelves	2

Design and specifications subject to change without notice.  
Actual shipping weight may differ due to extra packing materials for product protection.

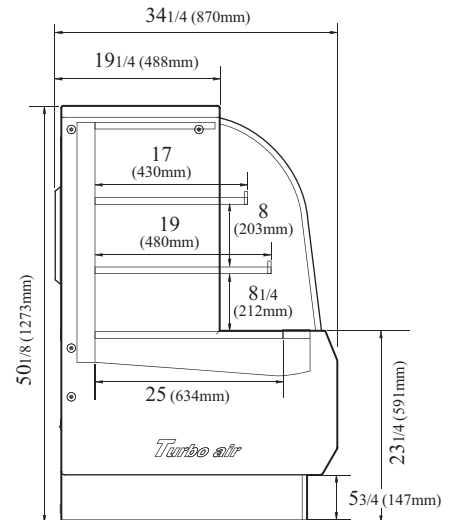
- **WARRANTY : 2 Years Parts and Labor Warranty**  
**Additional 3 Years Warranty on Compressor**

## PLAN VIEW

(unit : inch)



FRONT VIEW



SIDE VIEW

Ver.20180315



- Turbo Air : 800-627-0032
- GK : 800-500-3519
- Warranty : 800-381-7770
- AC : 888-900-1002

REFRIGERATOR MANUFACTURER  
**Turbo air**

**GERMAN KNIFE**

**RADIANCE**

**GREEN WORLD**

AIR CONDITIONER MANUFACTURER  
**Turbo air**