

Project:	Quantity:
Model #:	Approval:

*For Commercial Use Only*

## SR-R60-24CB-LP 60" Liquid Propane Commercial Range with 24" Char-Broiler, 6 Burners, 2 Ovens



### FEATURES

- 35,000 BTU per U-shaped burner
- 30,000 BTU per top burner
- 12" x 12" cast iron grates with aeration bowl
- Standing pilot light for individual burners
- 33,000 BTU each static oven
- Oven interior side guides & bottom porcelain coated
- Oven thermostat adjusts from 200°F - 500°F
- Manual gas controls
- Stainless steel front, back riser, and lift off shelf
- Casters standard, optional legs
- "Cool-to-the-touch" front s/s deck
- Flue located on back of unit for ample ventilation
- Natural Gas conversion kit included

- CSA
- cCSAus
- CSA Sanitation



**U**SR Brands Group is a US supplier of premium quality commercial cooking, refrigeration and food preparation equipment. Our aim is simple. Produce industry-leading commercial restaurant equipment at reasonable prices, and back it all up with an easy to understand, no nonsense warranty that people can count on.

Project:	Quantity:
Model #:	Approval:

For Commercial Use Only

## TECHNICAL DATA

### DIMENSIONS

Exterior Dimensions	60" L x 32" D x 59" H
Packaging Dimensions	63" L x 37" D x 47" H
Unit Weight	637 lb.
Shipping Weight	774 lb.

### COOKING

Numbers of Top Burners	6
Burner BTU	30,000
Numbers of U-shaped Burners	2
U-shaped Burner BTU	35,000
Charbroiler size	24"
Numbers of Ovens	2
Numbers of Oven Racks	2
Oven BTU	33,000
Oven Style	Standard Oven
Max. Oven Temperature	500°F
Total BTU	316,000
Control Type	Maunal
Gas Inlet Size	3/4"

### CONSTRUCTION

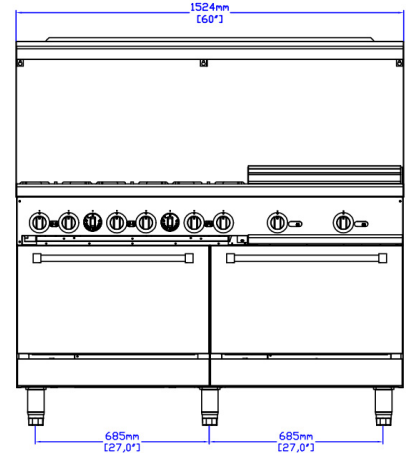
Exterior Material	Stainless Steel
Frame Structure	Welded
Number of Caster	(6) Qty: 3 with brakes, 3 without
Pull Out Tray	"Yes"

## TECHNICAL DRAWING

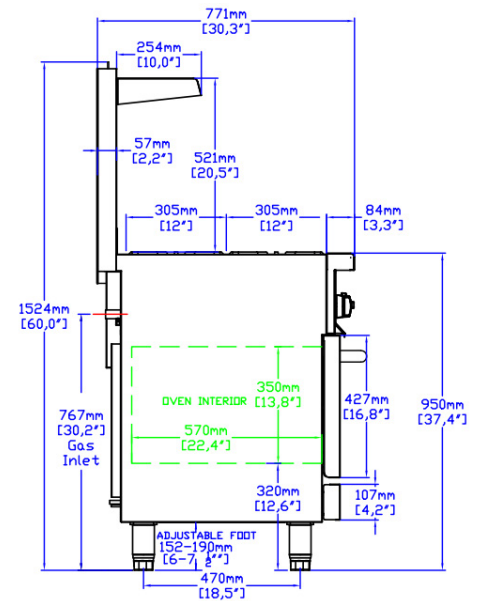
MODEL: SR-R60-24CB-LP

MFR MODEL:

Front View



Side View



Top View

