

Project:	Quantity:
Model #:	Approval:

For Commercial Use Only

Prepline 11" Ice Cream Dipper Well and Faucet Set



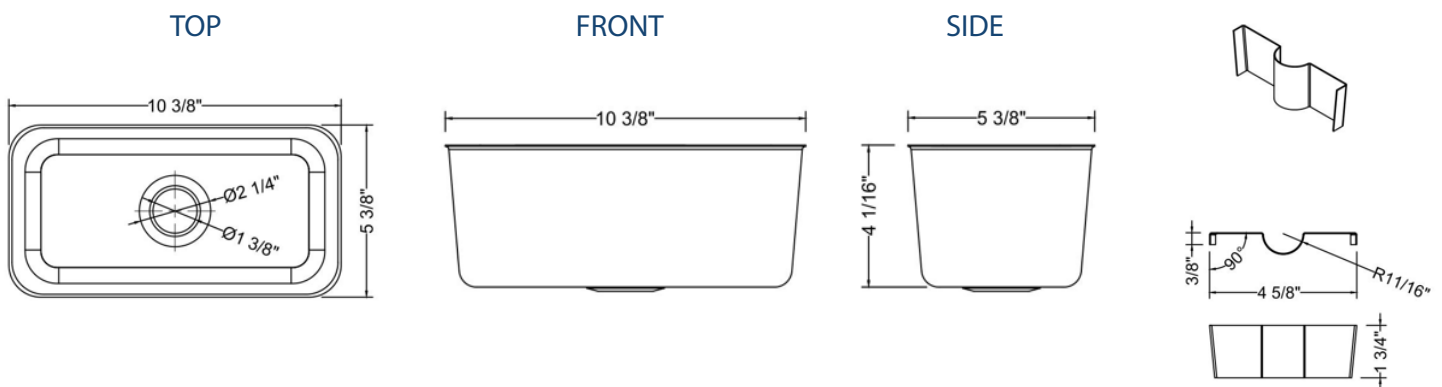
STANDARD FEATURES

- Overflow pipe and 1" drain included
- 7/16" male inlet faucet included
- 18 GA. 304 S/S construction
- Interior divider included
- Easy to install

Prepline dipper well comes with faucet set, keeping water fresh to clean your ice cream scoops. Pre-drilled holes allows you to easily install the dipper well to your ice cream dipping cabinet or commercial sinks. Removable overflow pipe and 1" drain, free of worry about messy spills or overflow.



MODEL: PDW-2



USR Brands is a US supplier of premium quality commercial cooking, refrigeration and food preparation equipment. Our aim is simple. Produce industry-leading commercial restaurant equipment at reasonable prices, and back it all up with an easy to understand, no nonsense warranty that people can count on.