

For Commercial Use Only

**PCDT-Series Clean Dishtable**



PCDT-36L MODEL PICTURED



PSCT-36R MODEL PICTURED



**FEATURES**

- ▶ 18-gauge 304-series stainless steel construction
- ▶ 10" high backplash
- ▶ 2" return allows for excess water to drain back into the sink
- ▶ Adjustable bullet feet
- ▶ Support bar for legs provides extra security and support
- ▶ 1-1/2" rolled edge for comfortability
- ▶ 8" centers pre-drilled splash mount holes
- ▶ 36-1/2" working height
- ▶ Lip attachment for dishwasher
- ▶ NSF Listed

**TECHNICAL DATA**

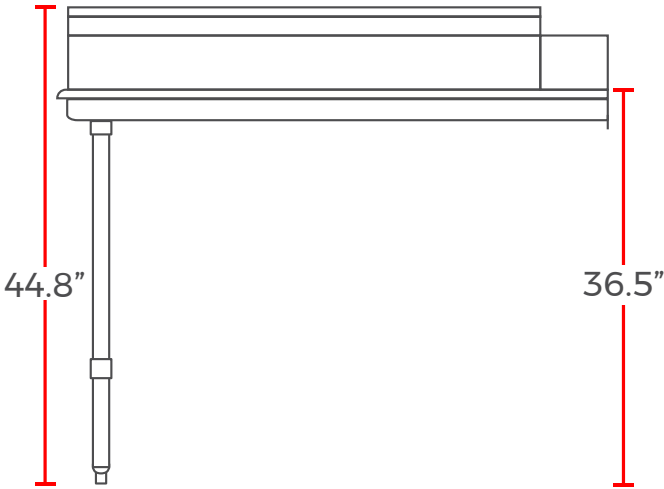
Model	Overall Dimensions	Orientation	Working Height	Backsplash Height	Unit Weight	Shipping Weight
PCDT-36R	36"L x 30"D x 44.8"H	Right	36.5"	10"	45 lb.	50 lb.
PCDT-48R	48"L x 30"D x 44.8"H	Right	36.5"	10"	55 lb.	60 lb.
PCDT-60R	60"L x 30"D x 44.8"H	Right	36.5"	10"	65 lb.	70 lb.
PCDT-72R	72"L x 30"D x 44.8"H	Right	36.5"	10"	75 lb.	80 lb.
PCDT-84R	84"L x 30"D x 44.8"H	Right	36.5"	10"	85 lb.	90 lb.
PCDT-96R	96"L x 30"D x 44.8"H	Right	36.5"	10"	99 lb.	105 lb.
PCDT-36L	36"L x 30"D x 44.8"H	Left	36.5"	10"	45 lb.	50 lb.
PCDT-48L	48"L x 30"D x 44.8"H	Left	36.5"	10"	55 lb.	60 lb.
PCDT-60L	60"L x 30"D x 44.8"H	Left	36.5"	10"	65 lb.	70 lb.
PCDT-72L	72"L x 30"D x 44.8"H	Left	36.5"	10"	75 lb.	80 lb.
PCDT-84L	84"L x 30"D x 44.8"H	Left	36.5"	10"	85 lb.	90 lb.
PCDT-96L	96"L x 30"D x 44.8"H	Left	36.5"	10"	99 lb.	105 lb.

<b>Project:</b>	<b>Quantity:</b>
<b>Model #:</b>	<b>Approval:</b>

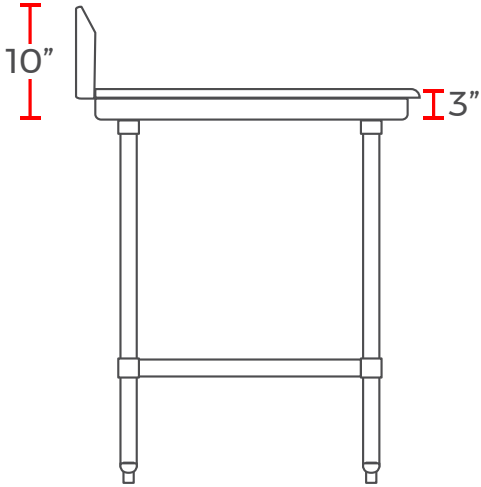
*For Commercial Use Only*

**DIAGRAM**

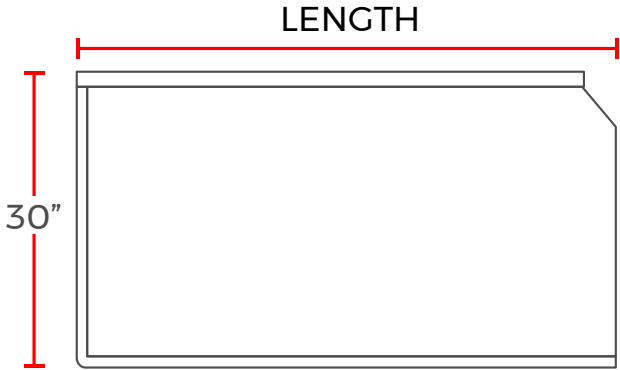
**FRONT VIEW**



**SIDE VIEW**



**TOP VIEW**



**U**S Restaurant Group is a US supplier of premium quality commercial cooking, refrigeration and food preparation equipment. Our aim is simple. Produce industry-leading commercial restaurant equipment at reasonable prices, and back it all up with an easy to understand, no nonsense warranty that people can count on.