

Project:	Quantity:
Model #:	Approval:

For Commercial Use Only

Prepline PAICM-3D Digital Control Automatic Coffee Maker with 3 Decanters - 120V



STANDARD FEATURES

- Digital control
- Adjustable temperature from 122 to 208.4 °F
- Fill Reservoir Automatically
- 60 cups (3.8 gallons) per hour
- Hot water faucet
- Fits 3 coffee decanters(Included)

- CE Certified



ACCESSORIES



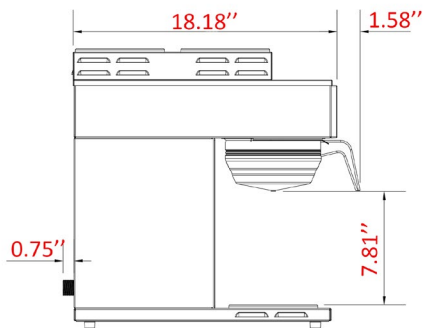
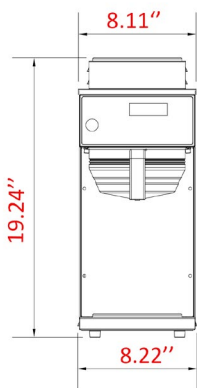
(25) Filter Paper included



(3) Glass Coffee Decanter included

Front

Side



TECHNICAL DATA

SKU MFR(Model)	PAICM-3D (AIG-3DAF)
Exterior Dimension(W*D*H)	8.22" x 19.76" x 19.24"
Packing Dimension(W*D*H)	11.61" x 23.42" x 22.44"
Net Weight/Gross Weight	26.23 lb./29.76 lb.
Voltage/Amps/Hertz	120V/15A/50-60Hz
Wattage	1800W
Plug Type	5-15P
Water Source	Connect to Water Pipe

USR Brands is a US supplier of premium quality commercial cooking, refrigeration and food preparation equipment. Our aim is simple. Produce industry-leading commercial restaurant equipment at reasonable prices, and back it all up with an easy to understand, no nonsense warranty that people can count on.