

50Hz iP0320 Ice Cube Machine

iP0320 Ice Cube Machine

Models

- IDP0320A IYP0320A



R290



Indigo NXT Series iP0320 Ice Machine on D320 Bin

Designed for operators who know that ice is critical to their business, the Indigo NXT Series ice machine's preventative diagnostics continually monitor itself for reliable ice production. Improvements in cleanability and programmability make your ice machine easy to own and less expensive to operate.

- **R290 Natural Refrigerant** - Minimize global warming potential and still maintain high performance with R290 Propane Refrigerant.
- **easyTouch[®] Display** - New icon based touch screen takes the guess work out of owning and operating an ice machine.
- **Multiple Language Capability** - The easyTouch display is available in multiple languages selected in the initial start-up installation Wizard.
- **Programmable Ice Production** - Now its super easy to program your ice machine to be off at certain times of the day to save money with fluctuating electrical rates. Also programmable by daily ice production volume.
- **Easy to Clean Foodzone** - Hinge front door swing out for easy access. Removable water-trough, distribution tube, curtain, water probe and water pump for fast and efficient cleaning. Selected components are made with AlphaSan[®] antimicrobial.
- **Intelligent Diagnostics** - Provides 24 hour preventative maintenance and diagnostic feedback for trouble free operation.
- **Acoustical Ice Sensing Probe** - Unique patented technology allows for reliable operation in challenging water conditions and environments
- **DuraTech[®] Exterior** - Provides superior corrosion resistant above stainless steel. Innovative clear-coat resists fingerprints and dirt making it easier to keep clean.
- Available **Luminice[®] II Growth Inhibitor** - Controls the growth of bacteria and yeast within the Food zone keeping the machine cleaner longer. A new indicator in the display keeps you abreast of the operational status.

Ice Machine Electric

230/50 /1

Minimum circuit ampacity:

Air-cooled: 6.0

Maximum fuse size:

Air-cooled: 15 1ph



Specifications

BTU Per Hour:
3,800 (average),
and 4,800 (peak)

Refrigerant:

R290 CFS Free.
Non-ozone depleting
and near zero GWP

Operating Limits:

- Ambient Temperature Range: 40° to 110° F (4.4° to 43.3° C)
Water Temperature Range: 40° to 90° F (4.4° to 32.2° C)
- Water Pressure Ice Maker Water In:
Min. 20 psi (137.9 kPA)
Max. 80 psi (551.1 kPA)

Ice Shape



Half Dice
3/8" x 1 1/8" x 7/8"
(.95 x 2.86 x 2.22 cm)
Cube weight 5.7 g



Dice
7/8" x 7/8" x 7/8"
(2.22 x 2.22 x 2.22 cm)
Cube weight 8.5 g



4932B 02/19



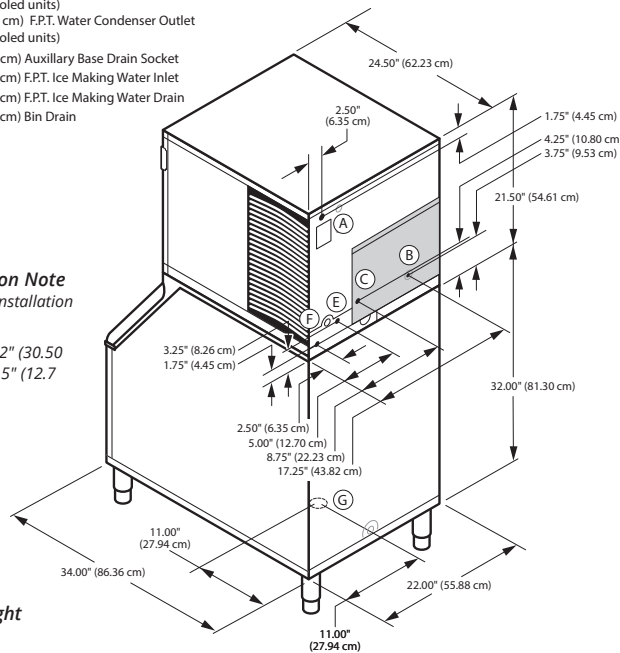
50Hz

Indigo® NXT™ iP0320 Ice Cube Machine

iP0320 on D-320 Storage Bin

- Ⓐ Electrical Entrance (2) Options
- Ⓑ 3/8" (0.95 cm) F.P.T. Water Condenser Inlet (water-cooled units)
- Ⓒ 1/2" (1.27 cm) F.P.T. Water Condenser Outlet (water-cooled units)
- Ⓓ 1/2" (1.27 cm) Auxillary Base Drain Socket
- Ⓔ 3/8" (0.95 cm) F.P.T. Ice Making Water Inlet
- Ⓕ 1/2" (1.27 cm) F.P.T. Ice Making Water Drain
- Ⓖ 3/4" (1.91 cm) Bin Drain

Installation Note
Minimum installation clearance:
Top/side: 12" (30.50 cm)
Back is 5" (12.7 cm)



Shipping Weight
67 kg
147 lbs

Space-Saving Design



| | iP0320 D-320 | iP0320 D-420 |
|-------------|--------------|--------------|
| Height | 59.50" | 71.50" |
| Width | 151.13 cm | 181.61 cm |
| Depth | 22.00" | 22.00" |
| | 55.88 cm | 55.88 cm |
| Bin | 34.00" | 34.00" |
| | 86.30 cm | 86.30 cm |
| Bin Storage | 264 lbs. | 383 lbs. |
| | 118 kgs. | 174 kgs. |

Height includes adjustable bin legs 6.00" to 8.00", (15.24 to 20.32 cm) set at 6.00" (15.24 cm).
Bin capacity is based on 90% of the volume x 33 lbs/ft3 average density of ice.

Specifications

| AIR COOLED | Model | Ice Shape | Ice Production 24 Hours | | Power Usage kWh 45.4 kg / 100 lbs @ 32°Air / 21°C Water 90°Air / 70°F Water | Potable Water Usage/100 lbs. 45.4 kgs. of Ice |
|------------|-----------|-----------|---|---|--|--|
| | | | 21°Air / 10°C Water 70°Air/ 50°F Water | 32°Air / 21°C Water 90°Air/ 70°F Water | | |
| | | | 1 Ph | | | |
| IDP0320A | dice | | 305 lbs. | 226 lbs. | 5.63 | 20 Gal. |
| | | | 138 kgs | 103 kgs | | 76 L |
| IYP0320A | half-dice | | 320 lbs. | 238 lbs. | 5.63 | 20 Gal. |
| | | | 145 kgs | 108 kgs | | 76 L |

Order separately: Ice storage bin for all units
R290 is a refrigerant grade propane which is naturally occurring with no ozone depletion potential and extremely low global warming potential

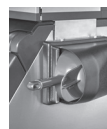
Accessories

LuminIce® II Growth Inhibitor
reduces yeast and bacteria growth for a cleaner ice machine.



External Scoop holder

Protect the ice scoop with the NSF approved versatile scoop holder.



Arctic Pure® Water Filters

Reduces sediment and chlorine odors for better tasting ice.



Welbilt reserves the right to make changes to the design or specifications without prior notice.

Welbilt Deutschland GmbH
Auf der Weih 11
D - 35745 Herborn, Germany
Tel.: +49 27 72 58 050
welbilt.com.de

Welbilt Iberia, S.A.U
Textil, 6 - Pol.Ind. La Ferreria - 08110
Montcada i Reixac
Barcelona, Spain
Tel.: +34 902 20 10 69
welbilt.com.es

Welbilt UK
Ashbourne House The Guildway,
Old Portsmouth Rd Guildford GU3
1LR United Kingdom
Tel.: +44 1483 464900
www.welbilt.uk

