



CNF0201 • CNF0202 Countertop Nugget Ice Maker & Dispenser

Models

- CNF0201AL CNF0201A CNF0202AL CNF0202A

Three dispense settings are standard: ice only, water only, or ice and water.



CNF0202

CNF0201

- **New bite-sized nugget** boasts 85% ice content* with only 15% water offering one of the best nugget ratios for maximum cooling and minimal drink dilution.
- **Up to 315 lbs. (143 kgs) standard daily ice production** including ice and water content.
- **New DuraTech™ front panel** for easy cleaning and reduced hardwater staining in the dispense area.
- **Only 16.25" (41.28 cm) wide** by 24.00" (61.00 cm) deep by 35.00" (89.00 cm) tall on the RNS12 and 42.00" (107.00 cm) tall without legs; legs sold separately.
- **Trouble-free ice dispensing.** Simply place cup under chute and activate.
- **Two ice activation options:** activation arm or touchless.
- Dispense opening (10.50"/ 26.67 cm) from grate to chute maximizes clearance for tall containers.
- Larger drain pan minimizes ice spillage.
- Blue LED light provides dispense visibility for rooms with limited ambient light.
- Drain connections in back or bottom of unit for flush mounting.
- Manitowoc's patented cleaning technology manages the cleaning process from start to finish.

*70/50° F



Ice Machine Electric

115/60/1. (230/50/1 also available.) 115/60/1 ice machines are factory pre-wired with a 6' (180 cm) power cord and NEMA 5-15P-plug configuration. 230/50/1 ice machines are factory pre-wired with a 6' (180 cm) power cord only, no plug is supplied.

Total ampacity: Air-cooled: 10.3 amps.

Maximum fuse size: Air-cooled: 15 amps.

HACR-type circuit breakers can be used in place of fuses.

Specifications

BTU Per Hour:
2,300 (average)
Compressor:
Nominal rating: 1/3 HP
Refrigerant: R404A

Operating Limits:
• Ambient Temperature Range:
45° -110° F (7.2° -43.3° C)
• Water Temperature Range:
45° -90° F (7.2° -32° C)
• Water Pressure Ice Maker
Water In:
Min. 20 psi (137.9 kPa)
Max. 80 psi (551.1 kPa)

Ice Shape

Nugget ice consists of small pieces ranging from 3/8" to 1/2" in width and length on average. Offers a 85% ice to water ratio with a softer, chewable texture while still providing maximum cooling effect and great dispensibility.





Model	Ice Shape	Ice Production 24 Hours		Power kWh/ 100 lbs. @ 90°/70°F 32°/21°C
		70°Air/50°F Water 21°Air/10°C Water	90°Air/70°F Water 32°Air/21°C Water	
CNF0201A	nugget	315 lbs.	222 lbs.	6.69
		143 kgs	101 kgs	
CNF0202A	nugget	315 lbs.	222 lbs.	6.69
		143 kgs	101 kgs	
Water usage/100 lbs./45.4 kgs of Ice				
Potable Water: 12 gallons, 45.4 liters				

A following model number indicates *Air* condensing unit.

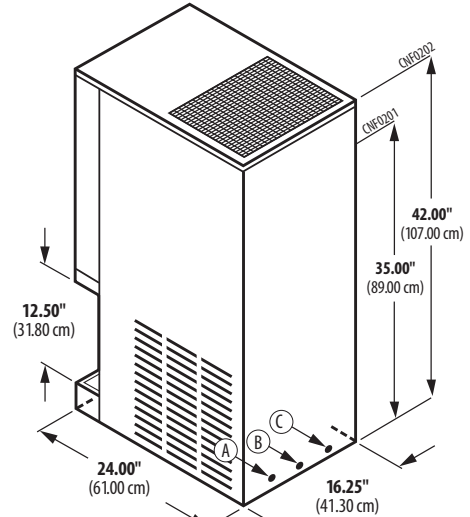
Space-Saving Designs



	CNF0201	CNF0202
Height*	35.00" 89.00 cm	42.00" 107.00 cm
Width	16.25" 41.30 cm	16.25" 41.30 cm
Depth	24.00" 61.00 cm	24.00" 61.00 cm
Bin Storage	10 lbs. 4.5 kgs	20 lbs. 9.1 kgs

*Height without legs. Legs sold separately: K-00345.

CNF0201/202



- (A) 3/8" (0.95 cm) F.P.T. Ice Making Water Inlet
- (B) 3/4" (1.91 cm) Bin Drain
- (C) Electrical Entrance

MINIMUM INSTALLATION CLEARANCE -
Top: 24" (60.96 cm); Sides: 8" (20.32 cm); Back: 5" (12.7 cm); Bottom: 0" (0 cm).

Stand offers a solution when there is no counter space available for an CNF0201 or 202 unit.

Kit Number	W x D x H	Shipping Weight
K-00453	22.2 x 29.2 x 36"	100 lbs
	56.4 x 74.2 x 76.2 cm	50 kgs

*Height includes 6" legs

CNF0201N/202N

Solid Front Panel

Shipped with ice/water option selected. Solid front panel makes machine completely touch-free.

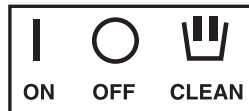


Air Flow Front View



Air in right, air out top.

Front Access



Initiate ice, off and clean operations with simple upfront selector switch. No need to remove front panel.

Lever-activated or Touchless Dispensing*



CNF0201L
CNF0202L



CNF0201
CNF0202

*Select at time of purchase. K-00377 can be used to convert from lever-activated to touchless sensing.