

KT-1000 Ice Kube Machine

KT-1000 ICE KUBE MACHINE

Models

KDT-1000A KYT-1000A KDT-1000W KYT-1000W KDT-1000N KYT-1000N



Koolaire KT-1000
Ice Kube Machine on K570 Bin

Koolaire by Manitowoc ice machines are designed, developed and tested by Manitowoc engineers to provide great ice production, energy efficiency and reliable service at an affordable price.

Performance/Features/Benefits

- Produces up to 960 lbs (435 kg) of ice per day**
- Performance certified by the Air Conditioning, Heating and Refrigeration Institute (AHRI)
- Energy Efficient models - visit EnergyStar.gov to view all Energy Star qualifying models
- Highly efficient electro-less nickel plated copper evaporators made in Manitowoc WI, USA
- Simple operation - only one control, three positions ON/OFF/CLEAN
- High-Tech exterior with smudge and fingerprint resistant stainless-like finish
- Better for the environment. Uses R410A refrigerant which lowers global warming potential by 48%
- Backed by the industry's best Manitowoc distribution network and service agents

Built for Easy Sanitation

- Easy access front facing evaporator
- One-touch remedial cleaning; requires minimal interaction; just add chemical and let the machine do the rest. No ice removal from bin needed. (Use Manitowoc De-scaler and Sanitizer only)
- For detail cleaning; all food zone components removable by hand (no tools required). Fast and easy
- All white plastic interior, no exposed tubes or wires, smooth rounded corners for fast easy wipe downs
- The food zone is sealed from above and on the back of the door panel with commercial grade rubber gaskets
- Alpha San anti-microbial agent molded in selected components
- Additional sanitation protection available with CleanAir™ packs to control the growth of bacteria, fungi and slime inside the food zone

**based on 70F air / 50F water

Ice Machine Electric

203-208V / 60Hz / 1Ph

Minimum circuit ampacity:

Air-cooled: 10.8

Water-cooled: 10.1

Remote Air-cooled: 9.3

Maximum fuse size:

Air-cooled: 15 amps

Water-cooled: 15 amps

Remote Air-cooled: 15 amps

Specifications

Operating Limits:

- Ambient Temperature Range: 40° to 110° F (4.4° to 43.3° C)
- Water Temperature Range: 40° to 90° F (4.4° to 32.2° C)

- Water Pressure Ice Maker Water In: Min. 20 psi (137.9 kPa) Max. 80 psi (551.1 kPa)

BTU Per Hour:

13,300 (average) and 16,300 (peak)

Refrigerant:

R410A CFC - Free
Lowers global warming by 48%

Ice Shape



HALF KUBE

3/8" x 1 1/8" x 7/8"
(.95 x 2.86 x 2.22 cm)

❄️ = 100%



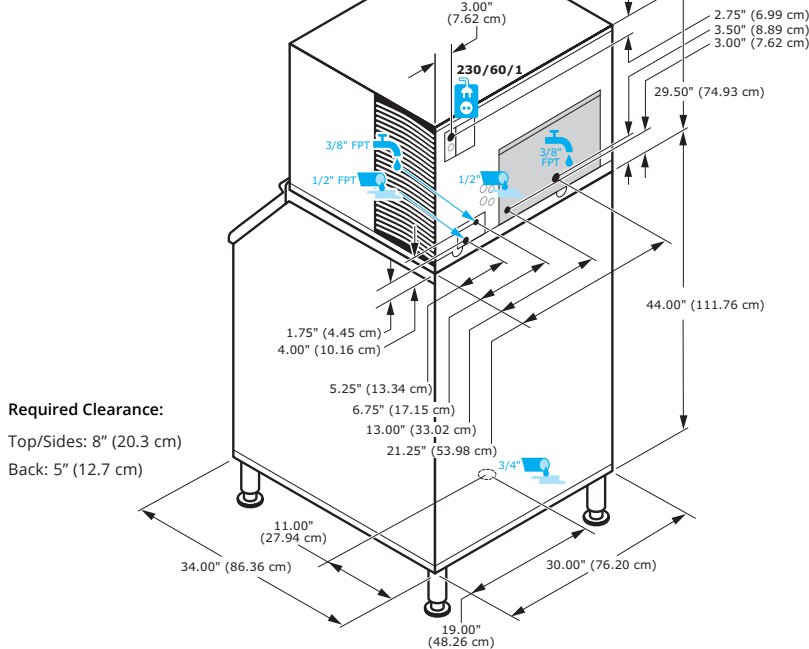
KUBE

7/8" x 7/8" x 7/8"
(2.22 x 2.22 x 2.22 cm)

❄️ = 100%



KT1000 on K-570 Storage Bin



Space-Saving Design



KT1000
K-570

Height	79.5"
Width	202.93 cm
Depth	30.00"
	76.2 cm
Depth	34.00"
	86.30 cm
Bin Storage	532 lbs.
	241 kgs.

Measurements with bin legs at 6.00" (15.24cm). Adjustable bin legs 6.00" to 8.00" (15.24cm to 20.32cm). Bin capacity is based on 90% of the volume x 33 lbs/ft³ average density of ice.

Water cooled condenser water usage/100 lbs. or 45.5 Kg. of ice: 140 gals. / 530L.

Specifications

	Model	Ice Shape	Ice Production 24 Hours		Power Usage kWh/100 lbs. @90°Air/70°F	Potable Water Usage/100 lbs. 45.4 kgs. of Ice
			70°/ 50°F 21°/ 10°C	90°/ 70°F 32°/ 21°C		
AIR COOLED	KDT-1000A	kube	890 lbs.	680 lbs.	5.35	20 Gal. 75.7 L
			404 kgs	308 kgs		
	KYT-1000A	half-kube	960 lbs.	775 lbs.	4.9	20 Gal. 75.7 L
			435 kgs	352 kgs		
WATER COOLED	KDT-1000W	kube	835 lbs.	720 lbs.	4.35	20 Gal. 75.7 L
			379 kgs	327 kgs		
	KYT-1000W	half-kube	860 lbs.	730 lbs.	4.25	20 Gal. 75.7 L
			390 kgs	331 kgs		
REMOTE COOLED	KDT-1000N	kube	860 lbs.	735 lbs.	4.94	20 Gal. 75.7 L
			390 kg	333 kg		
	KYT-1000N	half-kube	905 lbs.	760 lbs.	5.0	20 Gal. 75.7 L
			411 kg	345 kg		

Order ice machine and bin separately.

For "N" models order Manitowoc JCT1200-261 remote condenser.

Shipping Weight:

Air-cooled: 202 lbs (92 kg)
 Water-cooled: 206 lbs (93 kg)
 Remote Air-cooled: 246 lbs (112 kg)

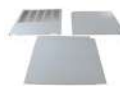


Accessories

Dispenser Bin Thermostat Kit
Reduces condensation when used with dispensers.



Top Air Discharge Kit
Convert air flow to rear in-take / top exhaust.



Arctic Pure® Water Filters
Reduces sediment and chlorine odors for better tasting ice.



Clean Air Pack
Chlorine dioxide sachet to inhibit bacteria growth.



Welbilt reserves the right to make changes to the design or specifications without prior notice.