

KT-0500 Ice Kube Machine

KT-0500 ICE KUBE MACHINE

Models

- KDT-0500A KYT-0500A KDT-0500W KYT-0500W



Koolaire KT-0500
Ice Kube Machine on K570 Bin

Koolaire by Manitowoc ice machines are designed, developed and tested by Manitowoc engineers to provide great ice production, energy efficiency and reliable service at an affordable price.

Performance/Features/Benefits

- Produces up to 560 lbs (254 kg) of ice per day**
- Performance certified by the Air Conditioning, Heating and Refrigeration Institute (AHRI)
- Energy Efficient models - visit EnergyStar.gov to view all Energy Star qualifying models
- Highly efficient electro-less nickel plated copper evaporators made in Manitowoc WI, USA
- Simple operation - only one control, three positions ON/OFF/CLEAN
- High-Tech exterior with smudge and fingerprint resistant stainless-like finish
- Better for the environment. Uses R410A refrigerant which lowers global warming potential by 48%
- Backed by the industry's best Manitowoc distribution network and service agents

Built for Easy Sanitation

- Easy access front facing evaporator
- One-touch remedial cleaning; requires minimal interaction; just add chemical and let the machine do the rest. No ice removal from bin needed. (Use Manitowoc De-scaler and Sanitizer only)
- For detail cleaning; all food zone components removable by hand (no tools required). Fast and easy
- All white plastic interior, no exposed tubes or wires, smooth rounded corners for fast easy wipe downs
- The food zone is sealed from above and on the back of the door panel with commercial grade rubber gaskets
- Alpha San anti-microbial agent molded in selected components
- Additional sanitation protection available with CleanAir™ packs to control the growth of bacteria, fungi and slime inside the food zone

**based on 70F air / 50F water

Ice Machine Electric

115/60/1 standard

Minimum circuit ampacity:

Air-cooled: 12.7
Water-cooled: 12.0

Maximum fuse size:

Air Cooled: 20 Amps
Water cooled: 20 Amps

Specifications

BTU Per Hour:
5,300 (average),
and 6,100 (peak)

Refrigerant:

R410A CFC - Free
Lowers global warming
by 48%

Operating Limits:

- Ambient Temperature Range: 40° to 110° F (4.4° to 43.3° C)
- Water Temperature Range: 40° to 90° F (4.4° to 32.2° C)
- Water Pressure Ice Maker Water In:
Min. 20 psi (137.9 kPa)
Max. 80 psi (551.1 kPa)

Ice Shape



HALF KUBE

3/8" x 1 1/8" x 7/8"
(.95 x 2.86 x 2.22 cm)

❄️ = 100%



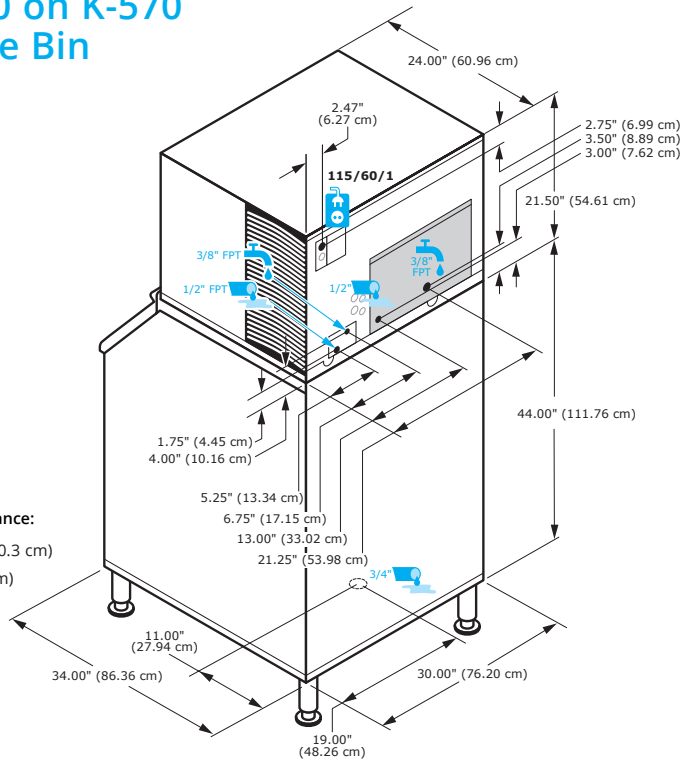
KUBE

7/8" x 7/8" x 7/8"
(2.22 x 2.22 x 2.22 cm)

❄️ = 100%



KT0500 on K-570 Storage Bin



Water cooled condenser water usage/100 lbs. or 45.5 Kg. of ice: 150 gals. / 568L.

Space-Saving Design



	KT0500 K-400	KT0500 K-570
Height	59.50"	71.50"
Width	151.13 cm	181.61 cm
Depth	34.00"	34.00"
Bin Storage	365 lbs. 165.7 kgs.	532 lbs. 241 kgs.

Measurements with bin legs at 6.00" (15.24cm). Adjustable bin legs 6.00" to 8.00" (15.24cm to 20.32cm). Bin capacity is based on 90% of the volume x 33 lbs/ft³ average density of ice.

Specifications

	Model	Ice Shape	Ice Production 24 Hours		Power Usage kWh/100 lbs. @90°Air/70°F 1 Ph	Potable Water Usage/100 lbs. of Ice 45.4 kgs. of Ice
			70°/ 50°F 21°/ 10°C	90°/ 70°F 32°/ 21°C		
AIR COOLED	KDT-0500A	kube	515 lbs.	400 lbs.	5.4 ★	19 Gal. 71.9 L
			233 kgs	181 kgs		
	KYT-0500A	half-kube	550 lbs.	425 lbs.	5.3 ★	19 Gal. 71.9 L
			249 kgs	193 kgs		
WATER COOLED	KDT-0500W	kube	533 lbs.	420 lbs.	4.4	19 Gal. 71.9 L
			242 kgs	191 kgs		
	KYT-0500W	half-kube	560 lbs.	460 lbs.	4.0	19 Gal. 71.9 L
			254 kgs.	209 kgs		

Order ice machine and bin separately
 ★ indicates Energy Star 3.0 certified

Shipping Weight:

Air-cooled: 156 lbs (71kg)
 Water-cooled: 159 lbs (72 kg)



Accessories

Dispenser Bin Thermostat Kit
 Reduces condensation when used with dispensers.



Top Air Discharge Kit
 Convert air flow to rear in-take / top exhaust.



Arctic Pure® Water Filters
 Reduces sediment and chlorine odors for better tasting ice.



Clean Air Pack
 Chlorine dioxide sachet to inhibit bacteria growth.



Welbilt reserves the right to make changes to the design or specifications without prior notice.