

## 32" Two Well Gas Hot Food Steam Table with Enclosed Base

### FEATURES

- Removable 1/2" thick poly cutting board
- Stainless steel cabinet body
- 2 Powerful Jet burners
- Sliding doors with handle
- Legs included, casters optional
- Fiberglass insulation between wells
- Gas regulator included
- Independent heat controls
- No plumbing or drain needed
- Open well design for water (spillage pans sold separately) or dry heat



### Optional Sneeze Guard

- Stainless steel construction
- For steamtables, salad bars, counters
- Protects food on 3 sides
- Easy to clean

Protect your food while still allowing your customers to see your product! Stainless steel frame are easy to clean and built to last.



**U**SR Brands is a US supplier of premium quality commercial cooking, refrigeration and food preparation equipment. Our aim is simple. Produce industry-leading commercial restaurant equipment at reasonable prices, and back it all up with an easy to understand, no nonsense warranty that people can count on.

Project:	Quantity:
Model #:	Approval:

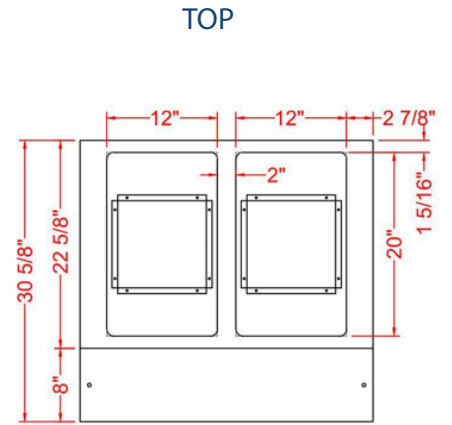
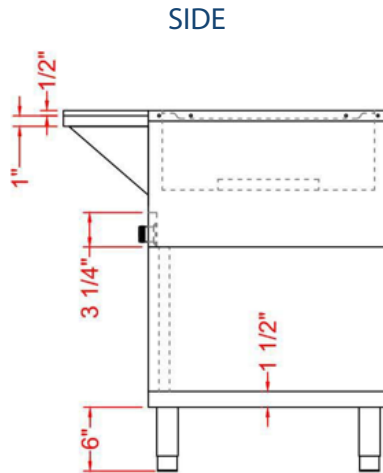
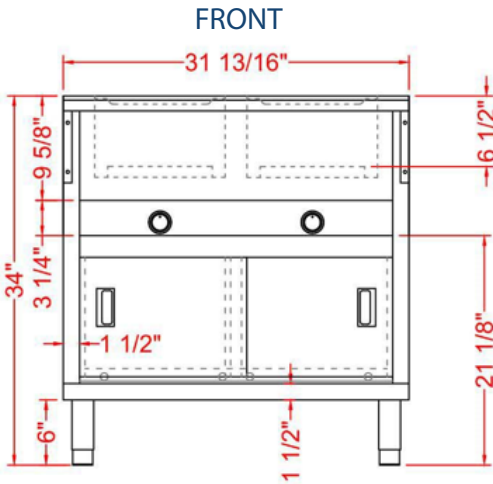
*For Commercial Use Only*

**TECHNICAL DATA**

MODEL	Exterior Dimension	Number of Well(s)	Number of Burner(s)	BTU per Burner	Total BTU	Well Type	Body Type
GSTC30-20	31.8" x 30.6" x 34.4"	2	2	3,500BTU	7,000BTU	Open Well	Cabinet

**TECHNICAL DRAWING**

SKU: **GSTC30-20**  
MFR ITEM #: **GST-20W-CBSD**



**With Optional Sneeze Guard**

