

## Gas Steam Tables with Enclosed Door - Sealed Well



Model : GSTC48-3S  
Front View



Model : GSTC74-5S  
Front View

### STANDARD FEATURES

- |  |                                     |
|--|-------------------------------------|
| 18GA.430S/S cabinet body                 | Independent infinite controls       |
| Enclosed base cabinet with sliding doors | Sliding doors with recessed handle  |
| S/S leg and socket                       | Fiberglass insulation between wells |
| Removable 1/2" thick poly cutting board  | Adjustable stainless steel feet     |
| Gas regulator included                   | Casters Optional                    |

Model	Description	Overall Dimensions(IN)	Number of Wells	Number of Burner	Total BTU/HR	N/W (LB)	N/W (LB)
GSTC30-2S	Gas Steaming Table	31.8 x 30.6 x 34.4	2	2	7,000	128 lbs.	132 lb.
GSTC48-3S	Gas Steaming Table	48 x 30.6 x 34.4	3	3	10,500	179 lbs.	183 lbs.
GSTC60-4S	Gas Steaming Table	60 x 30.6 x 34.4	4	4	14,000	220 lbs.	225 lbs.
GSTC74-5S	Gas Steaming Table	73.8 x 30.6 x 34.4	5	5	17,500	265 lbs.	270 lb.

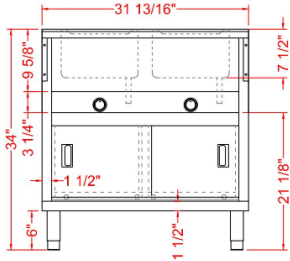
- cETLus
  - ETL Sanitation Listd
- Conforms to UL & NSF Standard



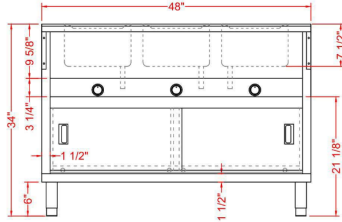
Project:	Quantity:
Model #:	Approval:

## Gas Steam Tables with Enclosed Door - Sealed Well

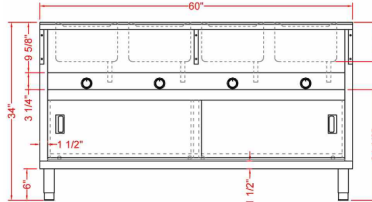
**GSTC30-2S**



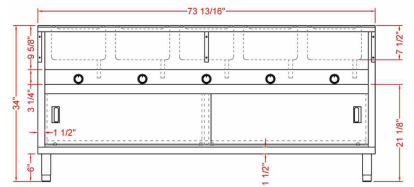
**GSTC48-3S**



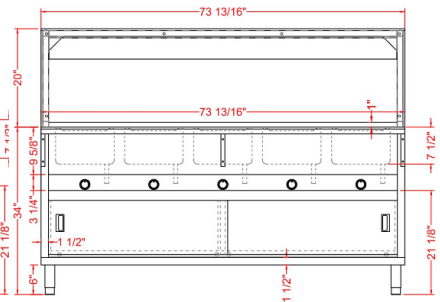
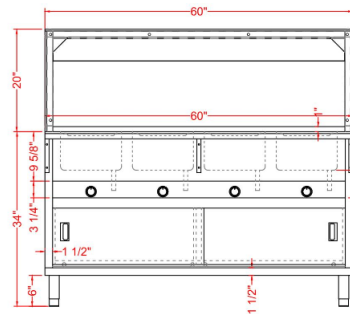
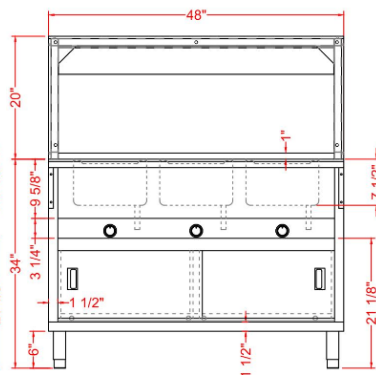
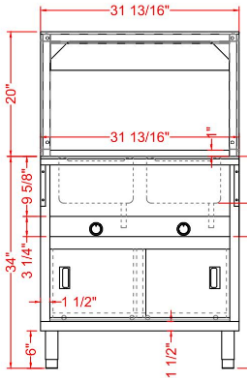
**GSTC60-4S**



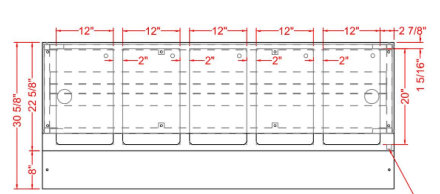
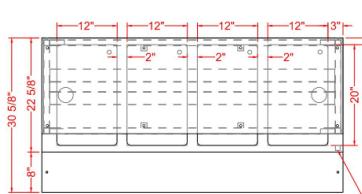
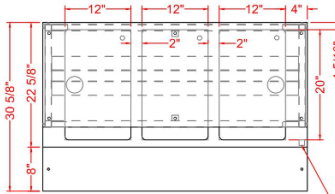
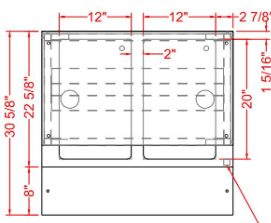
**GSTC74-5S**



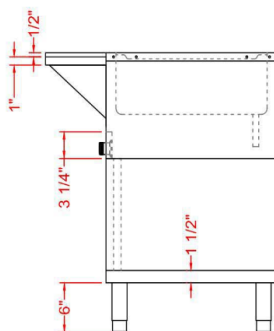
### With optional lighted sneeze guard



### Top view (Same as with optional sneeze guard)



**Side view**



**Side view with optional lighted sneeze guard**

