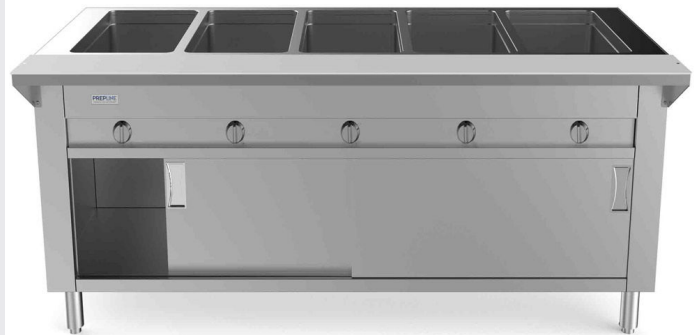


74" Five Well Gas Hot Food Steam Table with Enclosed Base

FEATURES

- Removable 1/2" thick poly cutting board
- Stainless steel construction
- 5 Powerful Jet burners
- Sliding doors with handle
- Legs included, casters optional
- Fiberglass insulation between wells
- Gas regulator included
- Independent heat controls
- No plumbing or drain needed
- Open well design for water (spillage pans sold separately) or dry heat



Optional Sneeze Guard

- Stainless steel construction
- For steamtables, salad bars, counters
- Protects food on 3 sides
- Easy to clean

Protect your food while still allowing your customers to see your product! Stainless steel frame are easy to clean and built to last.



USR Brands is a US supplier of premium quality commercial cooking, refrigeration and food preparation equipment. Our aim is simple. Produce industry-leading commercial restaurant equipment at reasonable prices, and back it all up with an easy to understand, no nonsense warranty that people can count on.

For Commercial Use Only

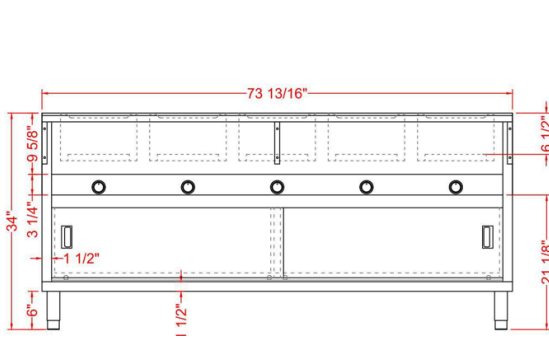
TECHNICAL DATA

MODEL	Exterior Dimension	Number of Well(s)	Number of Burner(s)	BTU per Burner	Total BTU	Well Type	Body Type
GSTC74-50	74" x 30.6" x 34.4"	5	5	3,500BTU	17,500BTU	Open Well	Cabinet

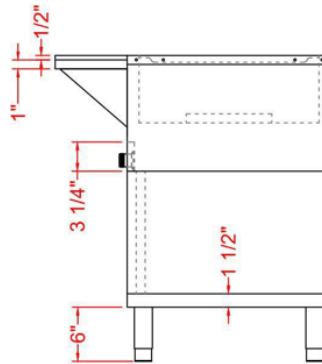
TECHNICAL DRAWING

SKU: GSTC74-50
MFR ITEM #: GST-50W-CBSD

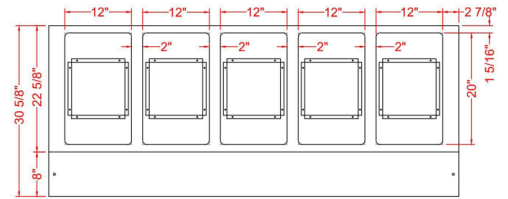
FRONT



SIDE

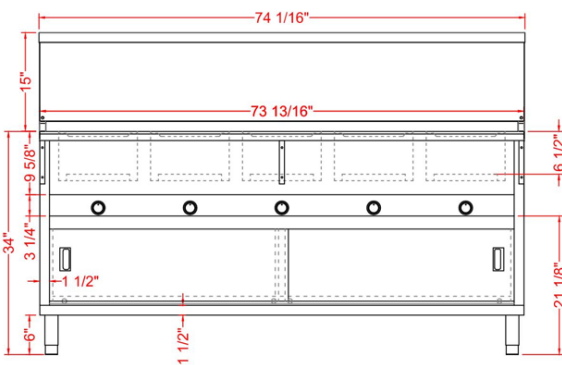


TOP

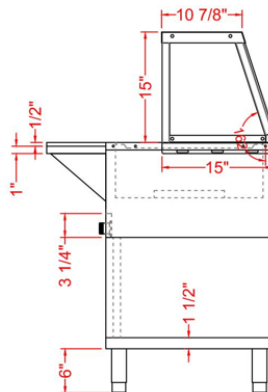


With Optional Sneeze Guard

FRONT



SIDE



TOP

