

| | |
|----------|-----------|
| Project: | Quantity: |
| Model #: | Approval: |

For Commercial Use Only

32" Two Well Gas Hot Food Steam Table with Undershelf

FEATURES

- Removable 1/2" thick poly cutting board
- Stainless steel construction
- 2 Powerful Jet burners
- Undershelf included
- Legs included, casters optional
- Fiberglass insulation between wells
- Gas regulator included
- Independent heat controls
- No plumbing or drain needed
- Open well design for water (spillage pans sold separately) or dry heat



Optional Lighted Sneeze Guard

- 32" Lighted Heated Sneeze Guard
- Four side tempered glass
- Includes three heat lamp bulbs
- Prevents contamination

This 32" food service glass sneeze guard display features stainless steel frame with four sides tempered glass, allowing customers excellent views of your food from all angles. The standard 120V makes set up easy.



USR Brands is a US supplier of premium quality commercial cooking, refrigeration and food preparation equipment. Our aim is simple. Produce industry-leading commercial restaurant equipment at reasonable prices, and back it all up with an easy to understand, no nonsense warranty that people can count on.

| | |
|----------|-----------|
| Project: | Quantity: |
| Model #: | Approval: |

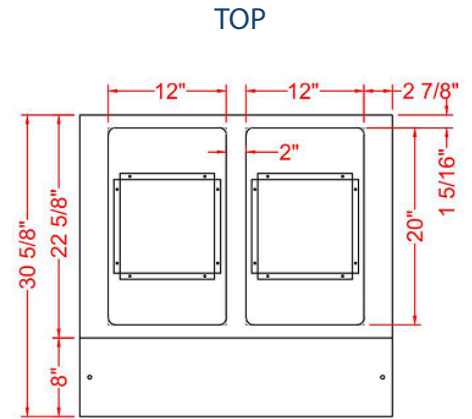
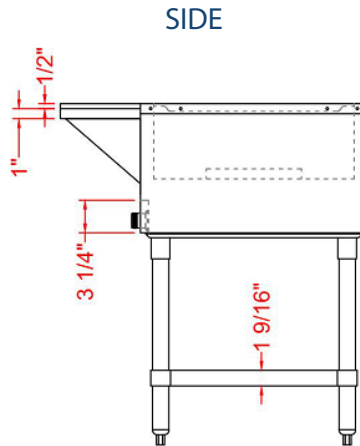
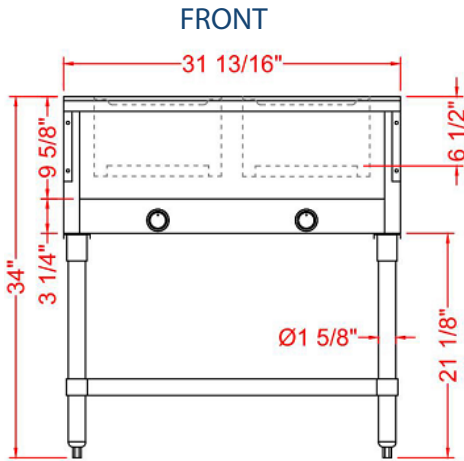
For Commercial Use Only

TECHNICAL DATA

| MODEL | Exterior Dimension | Number of Well(s) | Number of Burner(s) | BTU per Burner | Total BTU | Well Type | Body Type |
|----------|---------------------|-------------------|---------------------|----------------|-----------|-----------|------------|
| GST32-20 | 32" x 30.6" x 34.4" | 2 | 2 | 3,500BTU | 7,000BTU | Open Well | Undershelf |

TECHNICAL DRAWING

SKU: GST30-20
MFR ITEM #: GST-20W-US



Optional Lighted Sneeze Guard

