

PROJECT:	_____
LOCATION:	_____
ITEM#:	_____
QUANTITY:	_____

**COMPETITOR SERIES®**

**C-G24T**

**C-G36T**

**C-G48T**

# THERMOSTATIC GRIDDLES

- Thermostatically controlled
- 3/4" thick polished steel cooking surface for quick, even heating
- 25,000 BTU per "U" shape burner
- Large 20" deep cooking surface
- Removable slide out waste tray
- Beautiful ergonomic design and easy to clean
- High polished, stainless steel feet
- Stainless steel grease trough with wide opening for easy cleaning
- (4) Adjustable stainless steel feet
- Comes standard as natural gas with L.P orifice kit for in-field conversion
- Migali Industries® Protection Plan: 2 Year Parts & Labor Warranty

MODEL	BURNERS	TOTAL BTU NG/LP	BTU PER BURNER NG/LP	IN TAKE TUBE TUBE PRESSURE (W.C.) NG/LP	NOZZLE NO. NG/LP	IGNITION	VALVE TYPE	GRIDDLE PLATE WORKING AREA W X D X H	EXTERIOR DIMENSIONS W X D X H	PACKAGED DIMENSIONS W X D X H	WEIGHT	PACKAGED WEIGHT
C-G24T	2	25,000	25,000 BTU/h	4/10	#37 / #51	Manual	Pilot Light	23.9" x 19.9" x .75"	24" x 28.6" x 15.2"	26.8" x 31.1" x 18.2"	161 lbs	195 lbs.
C-G36T	3	75,000	25,000 BTU/h	4/10	#37 / #51	Manual	Pilot Light	35.7" x 19.9" x .75"	36" x 28.6" x 15.2"	38.6" x 31.1" x 18.2"	232 lbs.	281 lbs.
C-G48T	4	100,000	25,000 BTU/h	4/10	#37 / #51	Manual	Pilot Light	47.9" x 19.9" x .75"	48" x 28.6" x 15.2"	51.6" x 32.7" x 17.6"	295 lbs.	416 lbs.

Gas Connection: 3/4" NPT on the right

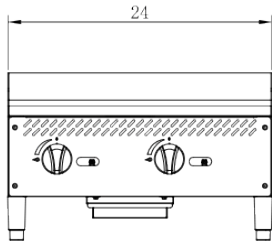
Clearance for combustible work area: 6" rear & 15" sides

Altitudes over 2,000 feet may need high altitude orifice adjustments to deliver BTU output listed

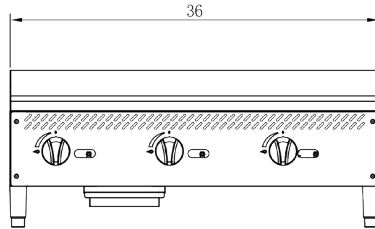
\*MIGALI RESERVES THE RIGHT TO CHANGE SPECIFICATIONS WITHOUT NOTICE

# DIMENSIONAL DRAWINGS

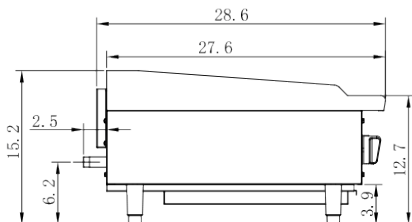
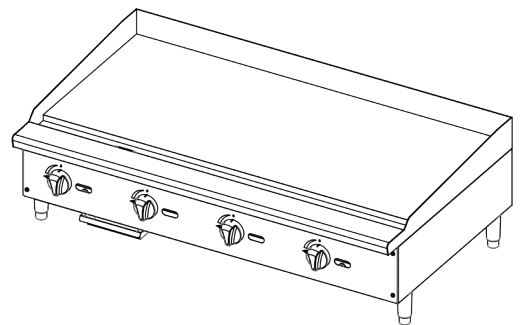
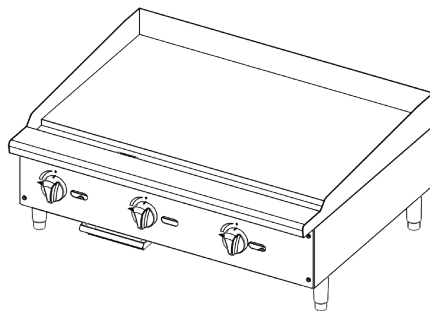
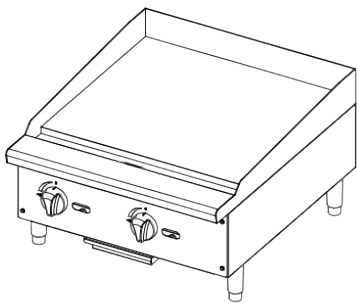
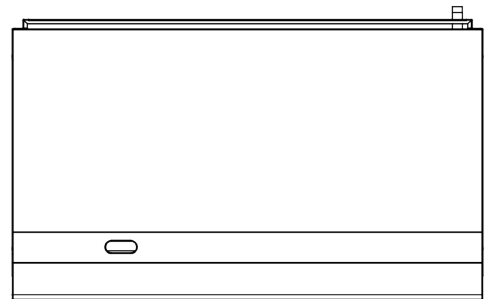
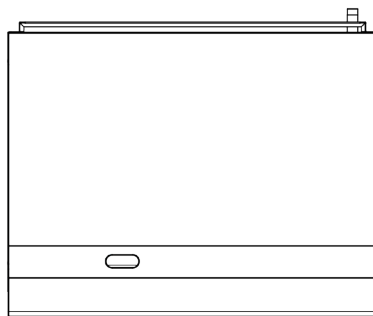
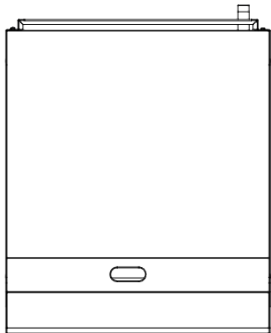
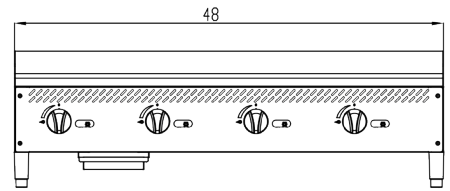
**C-G24T**



**C-G36T**



**C-C48T**



**SIDE VIEW**



**Migali®**

MIGALI® REMAINS AN AMERICAN FAMILY COMPANY SINCE 1955