



# Machine Stands

## Stainless Steel Machine Stands



Use your smart phone to scan the above QR code to visit our website:  
[www.bk-resources.com](http://www.bk-resources.com)

### Certifications:



### Features:

- Top Reinforced with Square Tubing that is an Integrally Welded "C" Channel
- Adjustable Undershelf
- Marine Edge
- 19 5/8" Height
- Evenly Distributed Static Load of 2,500 lbs.

### Options:

- Casters
- Upgraded Bullet Feet
- Extra Shelves

### Material:

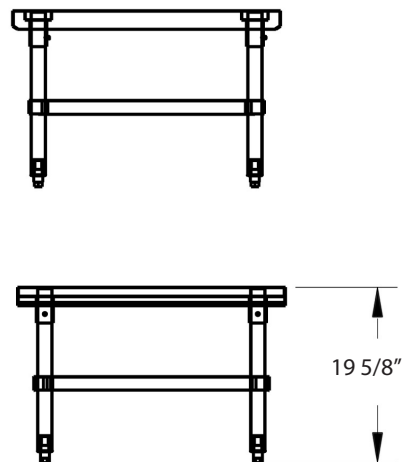
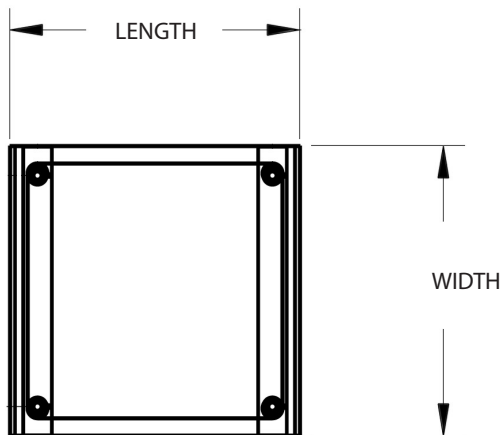
#### SS Series: S/S w/ Stainless Steel Legs & Undershelf

- T-304 14 ga. Stainless Steel Top
- Stainless Steel Legs & Adjustable Undershelf with Cast Aluminum Corners
- S/S Bullet Feet

#### GS Series: S/S w/ Galvanized Legs & Undershelf

- T-304 14 ga. Stainless Steel Top
- Galvanized Legs & Adjustable Undershelf with Cast Aluminum Corners
- White Metal Bullet Feet

SS Series			GS Series		
T-304 S/S w/ S/S Legs & Undershelf			T-304 S/S w/ Galv. Legs & Undershelf		
S/S Top S/S Base	Size (l x w)	Product Weight (lbs)	S/S Top Galv. Base	Size (l x w)	Product Weight (lbs)
MST-2424SS	24" x 24"	39.50	MST-2424GS	24" x 24"	37.50
MST-3024SS	30" x 24"	46.00	MST-3024GS	30" x 24"	45.50
MST-3030SS	30" x 30"	45.50	MST-3030GS	30" x 30"	52.00
MST-3630SS	36" x 30"	59.00	MST-3630GS	36" x 30"	60.50



PRODUCT DATA SHEET

BK RESOURCES



# Wall Shelves

## T-304 Premium Stainless Steel Wall Shelves

Model: BKWS

PRODUCT DATA SHEET

BK RESOURCES