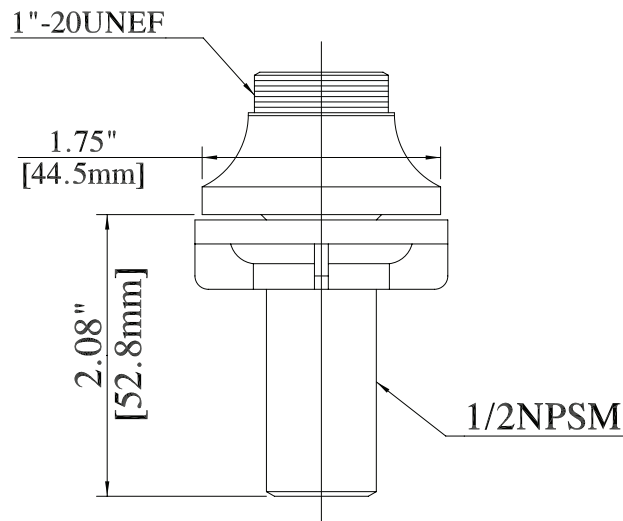
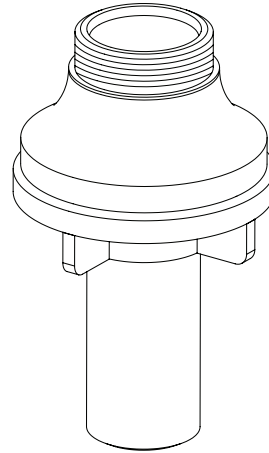




Use your smart phone to scan the above QR code to visit our website: www.bk-resources.com

# Deck Mount Spout Base

Model: BKF-DMB-G, Lead Free



### Product Specifications:

- 1/2" NPS Threading
- Chrome Plated

### Certifications:



PRODUCT SPECIFICATION SHEET

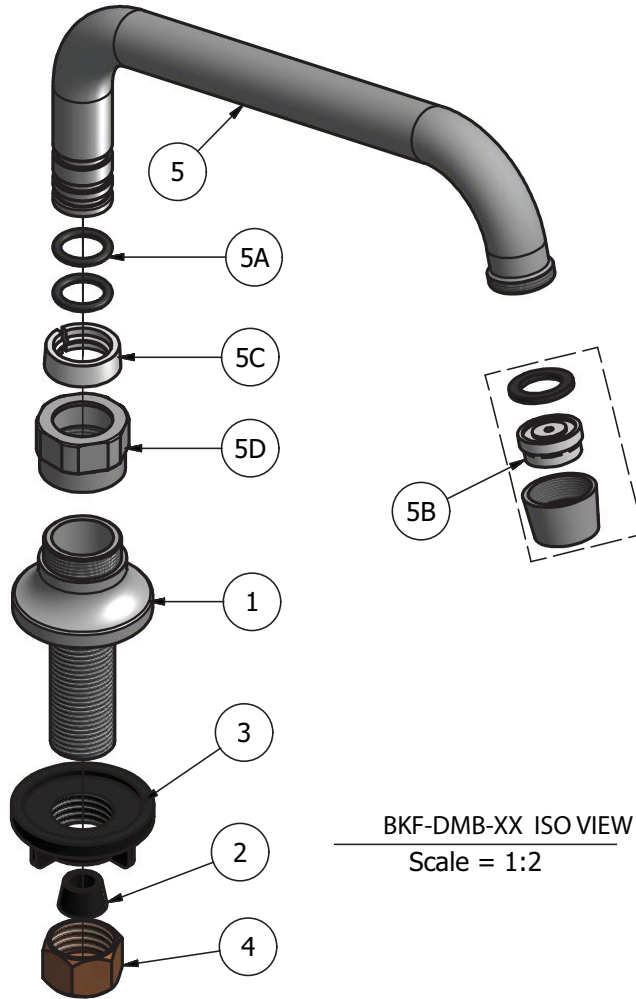
RESOURCES





## Deck Mount Spout Base

Model: BKF-DMB-G, Lead Free



BKF-DMB-XX ISO VIEW  
Scale = 1:2

### Exploded Parts Detail:

| Diagram # | Quantity | Part Number | Description     |
|-----------|----------|-------------|-----------------|
| 1         | 1        | BKF-DMB-XX  | Spout Base      |
| 2         | 1        | BKF-FLARE   | Flare           |
| 3         | 1        | BKF-MN      | Mounting Nut    |
| 4         | 1        | BKF-CN      | Compression Nut |
| 5         | 1        | BKF-SPT-XX  | Spout           |
| 5A        | 2        | BKF-O-RING  | O-Ring          |
| 5B        | 1        | BKF-AER     | Aerator         |
| 5C        | 1        | BKF-SPT-S   | Spacer          |
| 5D        | 1        | BKF-SPT-N   | Nut             |

### Optional Spouts & Parts:

