



Steam Table

Stainless Steel Steam Table



Use your smart phone to scan the above QR code to visit our website:
www.bk-resources.com

Features:

- 2, 3, 4, or 5 Pan Open Well Design
- Cutting Board Shelf
- Undershef to store water pans, lids and utensils when not in use
- Infinite Temperature Control
- 500W Per Well
- 120V

Material:

- 20 Ga. Stainless Steel
- Heat Compartments have galvanized liner and are insulated with 1" thick fiberglass

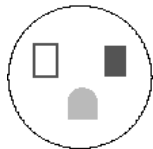
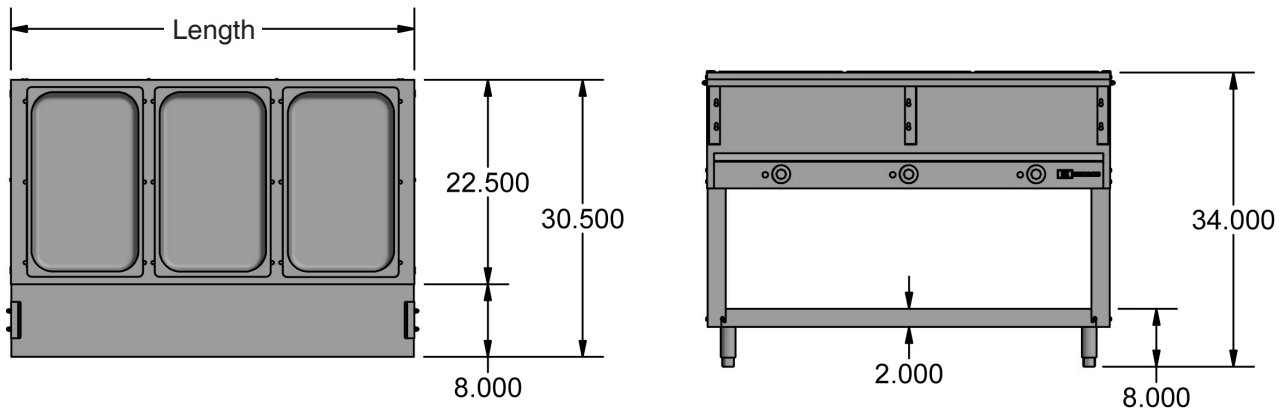


Warranty:

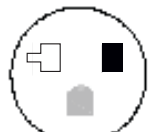
- 1 Year Parts Only



Model	Unit Size (L x W x H)	Number of Wells	Total Watts	Plug	Product Weight (lbs)
STE-2-120	30 ^{3/8} " x 30 ^{1/2} " x 34"	2	1000	NEMA 5-15	81.00
STE-3-120	44 ^{3/8} " x 30 ^{1/2} " x 34"	3	1500	NEMA 5-20	109.00
STE-4-120	58 ^{3/8} " x 30 ^{1/2} " x 34"	4	2000	NEMA L5-30	135.00
STE-5-120	72 ^{3/8} " x 30 ^{1/2} " x 34"	5	2500	NEMA L5-30	160.00



Typical Outlet NEMA 5-15 : For STE-2-120



Typical Outlet NEMA 5-20 : For STE-3-120



NEMA L5-30 : For STE-4-120 & STE-5-120

PRODUCT DATA SHEET