

Project:	Quantity:
Model #:	Approval:

For Commercial Use Only

74" Five Well Electric Hot Food Steam Table - 240V, 3700W

FEATURES

- Removable 1/2" thick poly cutting board
- Stainless steel construction
- Stainless steel heating element
- Undershelf included
- Legs included, casters optional
- Fiberglass insulation between wells
- Adjustable stainless steel feet
- Independent heat controls
- No plumbing or drain needed
- Open well design for water (spillage pans sold separately) or dry heat



Optional Sneeze Guard

- Stainless Steel Construction
- For Steamtables, Salad Bars, Counters
- Protects Food on 3 Sides
- Easy to Clean

Protect your food while still allowing your customers to see your product! Stainless steel frame are easy to clean and built to last.



USR Brands is a US supplier of premium quality commercial cooking, refrigeration and food preparation equipment. Our aim is simple. Produce industry-leading commercial restaurant equipment at reasonable prices, and back it all up with an easy to understand, no nonsense warranty that people can count on.

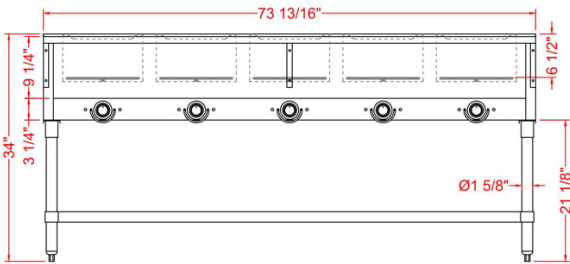
TECHNICAL DATA

MODEL	Exterior Dimension	Volts/Hertz	Watts	Plug	Number of Well	Well Type	Body Type
EST74-50	73.8" x 30.6" x 34.4"	208-240V/60HZ	3700W	NEMA 6-20P	5	Open Well	Undershelf

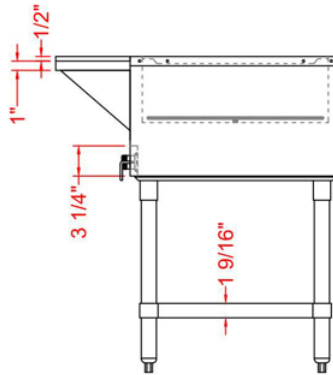
TECHNICAL DRAWING

SKU: EST74-50
MFR ITEM #: EST-50W-US

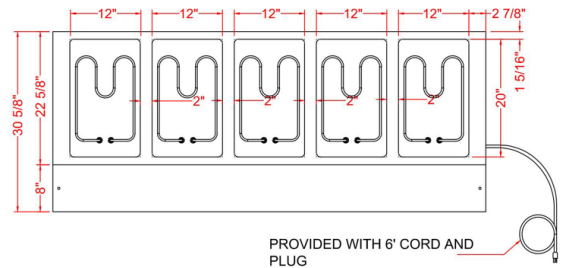
FRONT



SIDE

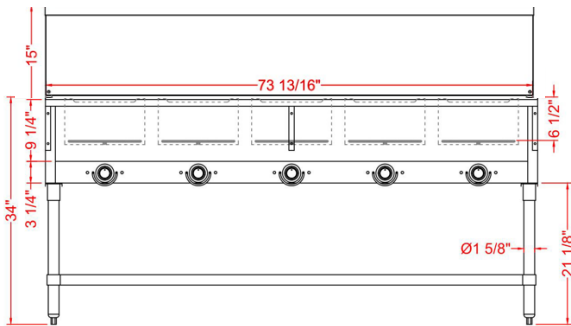


TOP

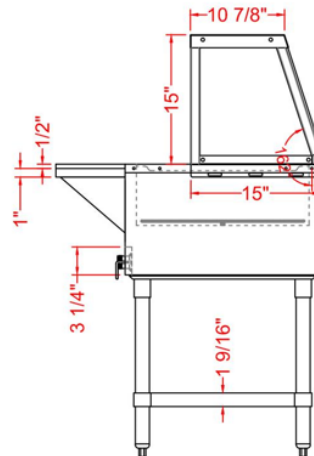


With Optional Sneeze Guard

FRONT



SIDE



TOP

