

74" Five Well Electric Hot Food Steam Table - 240V, 3700W

FEATURES

- Removable 1/2" thick poly cutting board
- Stainless steel construction
- Stainless steel heating element
- Undershef included
- Legs included, casters optional
- Fiberglass insulation between wells
- Adjustable stainless steel feet
- Independent heat controls
- No plumbing or drain needed
- Open well design for water (spillage pans sold separately) or dry heat



Optional Lighted Sneez Guard

- 74" Lighted Heated Sneez Guard
- Four side tempered glass
- Includes three heat lamp bulbs
- Prevents contamination

This 74" food service glass sneez guard display features stainless steel frame with four sides tempered glass, allowing customers excellent views of your food from all angles. The standard 120V makes set up easy.



USR Brands is a US supplier of premium quality commercial cooking, refrigeration and food preparation equipment. Our aim is simple. Produce industry-leading commercial restaurant equipment at reasonable prices, and back it all up with an easy to understand, no nonsense warranty that people can count on.

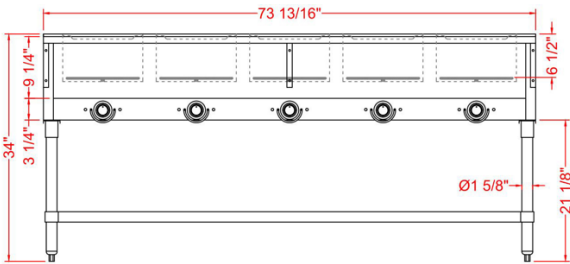
TECHNICAL DATA

MODEL	Exterior Dimension	Volts/Hertz	Watts	Plug	Number of Well	Well Type	Body Type
EST74-50	73.8" x 30.6" x 34.4"	208-240V/60HZ	3700W	Nema 6-20P	5	Open Well	Undershelf

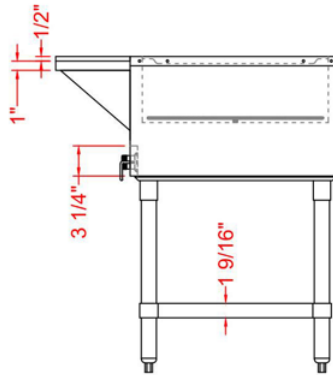
TECHNICAL DRAWING

SKU: EST74-50
MFR ITEM #: EST-50W-US

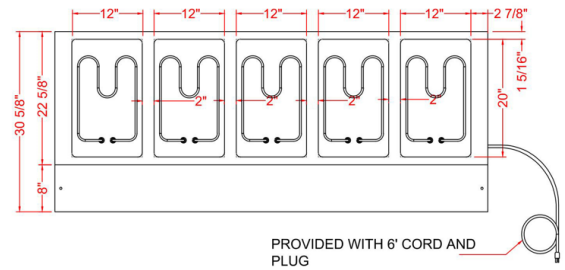
FRONT



SIDE

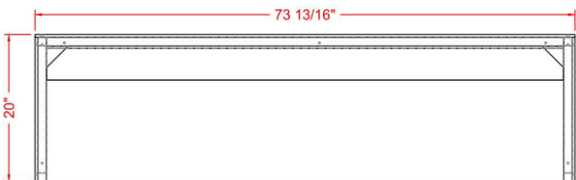


TOP

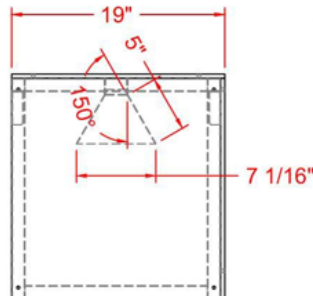


Optional Lighted Sneeze Guard

FRONT



SIDE



TOP

