

Project:	Quantity:
Model #:	Approval:

*For Commercial Use Only*

## 32" Two Well Electric Hot Food Steam Table with Undershef - 120V, 1000W

### FEATURES

- Removable 1/2" thick poly cutting board
- Stainless steel construction
- Stainless steel heating element
- Undershef included
- Legs included, casters optional
- Fiberglass insulation between wells
- Adjustable stainless steel feet
- Independent heat controls
- No plumbing or drain needed
- Open well design for water (spillage pans sold separately) or dry heat



### Optional Lighted Sneez Guard

- 32" Lighted Heated Sneez Guard
- Four side tempered glass
- Includes three heat lamp bulbs
- Prevents contamination

This 32" food service glass sneez guard display features stainless steel frame with four sides tempered glass, allowing customers excellent views of your food from all angles. The standard 120V makes set up easy.



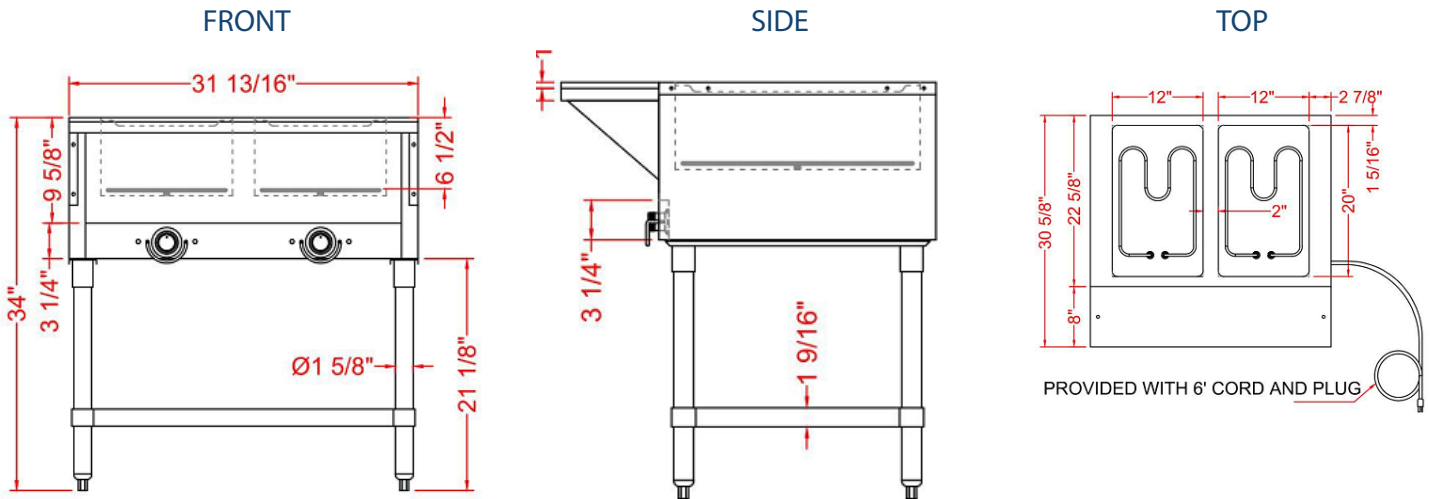
**U**SR Brands is a US supplier of premium quality commercial cooking, refrigeration and food preparation equipment. Our aim is simple. Produce industry-leading commercial restaurant equipment at reasonable prices, and back it all up with an easy to understand, no nonsense warranty that people can count on.

**TECHNICAL DATA**

MODEL	Exterior Dimension	Number of Well(s)	Electrical	Plug Type	Power	Well Type	Body Type
EST30-20	32" x 30.6" x 34.4"	2	120v/60hz/1ph	NEMA 5-15P	1000w	Open Well	Undershelf

**TECHNICAL DRAWING**

SKU: EST30-20  
MFR ITEM #: EST-2OW-US



**Optional Lighted Sneeze Guard**

