



# Economy Equipment Stands

## Stainless Steel Equipment Stands



Use your smart phone to scan the above QR code to visit our website:  
[www.bk-resources.com](http://www.bk-resources.com)

### Certifications:



### Features:

- Top Reinforced with 4 1/2" x 3/4" Support Channels
- 3 Sided 1 1/2" Riser w/ Hemmed Edge
- Adjustable Undershelf
- Work Surface Height 23"
- Evenly Distributed Static Load of 800 lbs.

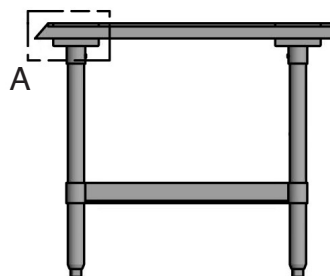
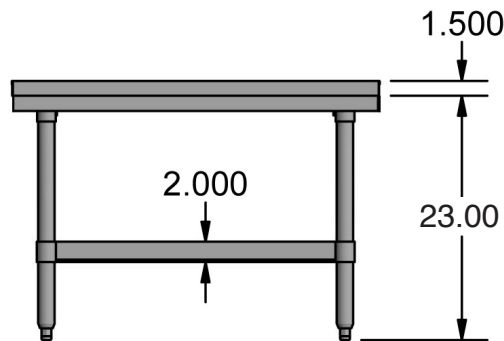
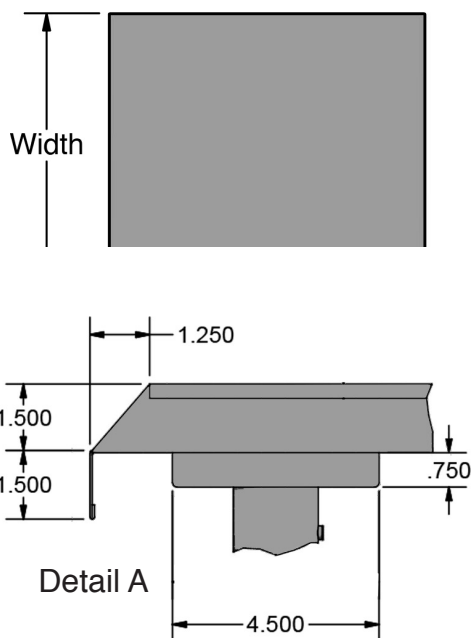
### Material:

- T-430 18 ga. Stainless Steel Top
- Galvanized Legs and Undershelf
- Adjustable Stainless Steel Feet

### Options:

- Casters
- Upgraded Bullet Feet
- Extra Shelves

Part Number	Size: (l x w x h)	Product Weight (lbs)
EETS-2430	24" x 30" x 23"	35.00
EETS-3630	36" x 30" x 23"	46.00
EETS-4830	48" x 30" x 23"	60.00
EETS-6030	60" x 30" x 23"	73.00
EETS-7230	72" x 30" x 23"	85.00



PRODUCT DATA SHEET

BK RESOURCES

