



DUKERS
Quality Commercial Refrigeration



REACH IN REFRIGERATOR

D83AR

Top Mounted / 3-Solid Door



i TECHNICAL SPECIFICATIONS

Voltage/Frequency 115V/60Hz
Refrigerant R290
Type of Defrost Automatic
Interior Material Stainless Steel
Exterior Material Stainless Steel
Temperature Range °F 33 ~ 41°F
Compressor Power (HP) 1/2
Nema Config. NEMA5-15P



PRODUCT FEATURES

-  The compressor is mounted in the top and placed in the coolest possible area; this makes it easily accessible for servicing.
-  Digital temperature controls with LED display for precise adjustment and automatic defrosting system.
-  Temperatures in the cabinet range from 33 to 41 degrees Fahrenheit
-  Self closing doors with stay open feature.
-  R290 Natural Refrigerant promotes faster cool down and efficient energy consumption.
-  Epoxy coated wire shelves.
-  Stainless steel interior & exterior, sealed interior floors, and rounded cabinet corners for easy cleaning.
-  High quality coated stainless adjustable shelves prevent peel and rust.
-  Lifetime warranty on hinges.
-  Adjustable front locking casters.



HIGH QUALITY STAINLESS STEEL & ROBUST DESIGN



DUKERS

Los Angeles | San Francisco | Dallas
Houston | Florida | Chicago | New Jersey

 1-800-931-8628

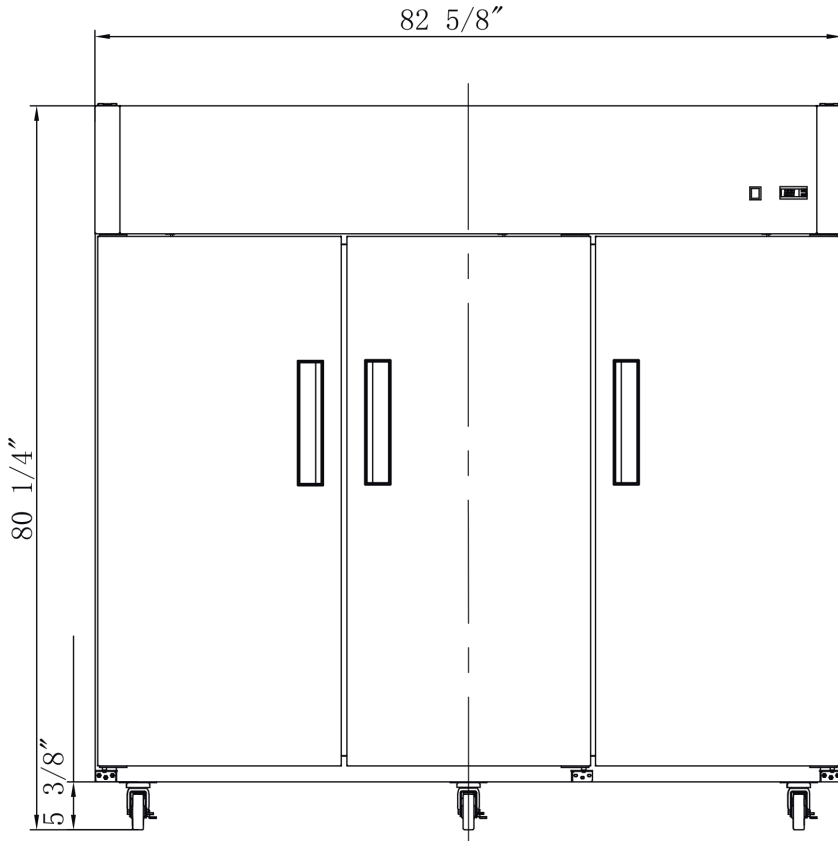
 info@dukersusa.com

www.DukersUSA.com

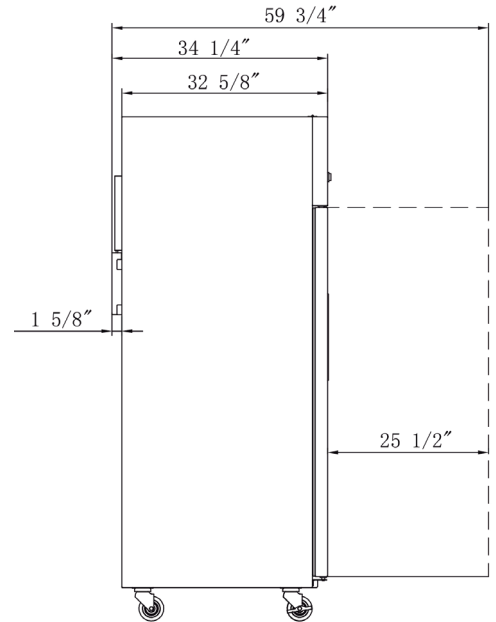
DETAILS & SPECIFICATIONS

D83AR

Front View



Side View



MODEL D83AR

| | |
|---------------------------|--------------|
| Rated Voltage | 115V |
| Rated Frequency | 60Hz |
| Total Input Power | 730W |
| Total Current | 8.6A |
| Total Capacity | 64.80 cu ft |
| Climatic Category | 4-5 |
| Protection Type | I |
| Design Pressure High Side | 300 PSIG |
| Design Pressure Low Side | 150 PSIG |
| Insulation Blowing Gas | C-Pentane |
| Refrigerant | R290/5.22 oz |

| MODEL | EXTERNAL DIMENSION WXDXH (INCHES) | PACKAGING DIMENSION WXDXH (INCHES) | PRODUCT NET WEIGHT | # OF SHELVES | 40HQ CONTAINER CERT. |
|-------|--------------------------------------|---------------------------------------|-----------------------|-----------------|-------------------------|
| D83AR | 82 5/8 x 34 1/6 x 80 3/8 | 84 1/4 x 35 3/8 x 84 3/4 | 595 lbs | 12 | 13 |



AutoQuotes



115/60/1
NEMA-5-15P



Los Angeles | San Francisco | Dallas
Houston | Florida | Chicago | New Jersey

1-800-931-8628

@ info@dukersusa.com

www.DukersUSA.com