



5" Riser Tables

Stainless Steel Riser Tables



Use your smart phone to scan the above QR code to visit our website:
www.bk-resources.com

Certifications:



Features:

- Two (2) Sound Deadened Integrally Welded 5" "C" Channels to Reinforce and Maintain Level Working Surface
- Legs 1 5/8" Diameter
- 5" Riser
- 84" & 96" Have 6 Legs

Options:

- Single & Double Overshelves
- Drawer Assemblies
- Casters
- Upgraded Bullet Feet
- Extra Shelves
- Adjustable Table Mount Pot Rack



Material:

CVTR5 Series: S/S w/ Stainless Steel Legs & Undershelf

- T-304 16 ga. Stainless Steel Top
- Stainless Steel Legs & Adjustable Undershelf
- Adjustable Stainless Steel Feet

CTTR5 Series: S/S w/ Galvanized Legs & Undershelf

- T-304 16 ga. Stainless Steel Top
- Galvanized Legs & Adjustable Undershelf
- Adjustable High Impact Corrosion Resistant Feet

CVTR5 Series

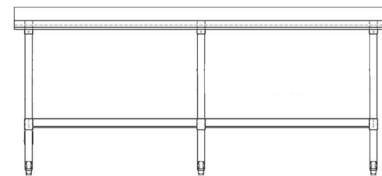
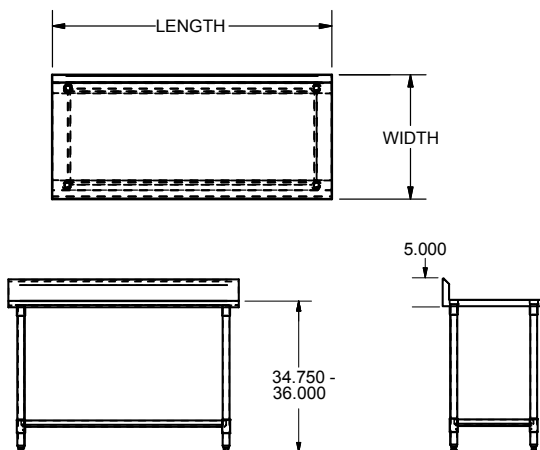
S/S w/S/S Legs & Undershelf

Length	T-304 S/S 30" Width	Product Weight (lbs)	T-304 S/S 24" Width	Product Weight (lbs)
36"	CVTR5-3630	66.00	-	-
48"	CVTR5-4830	88.00	-	-
60"	CVTR5-6030	105.00	-	-
72"	CVTR5-7230	122.00	-	-
84"	CVTR5-8430	146.00	CVTR5-8424	132.00
96"	CVTR5-9630	162.00	-	-

CTTR5 Series

S/S w/ Galv. Legs & Undershelf

T-304 S/S 30" Width	Product Weight (lbs)
CTTR5-3630	68.00
CTTR5-4830	84.00
CTTR5-6030	100.00
CTTR5-7230	109.00
CTTR5-8430	
CTTR5-9630	146.00



TABLES 7 FT. AND LARGER ARE FURNISHED WITH SIX (6) LEGS

PRODUCT DATA SHEET

BK RESOURCES

