



Insulated Ice Bin

Stainless Steel Ice Bins



Use your smart phone to scan the above QR code to visit our website:
www.bk-resources.com

Features:

- 12" Ice Bin Depth
- Includes Drain (BKDR-325CP)
- 18GA SS Front Panels w/ Galv Die Wall & Base
- Included Lid Required for Human Consumption
- Removable SS Front Panel on Base

Material:

- T-304 18 ga Stainless Steel



Part Number	Unit Size (w x d x h)	Ice Bin Dim. (w x d x h)	Ice Bin Capacity
UBDW-18-IB24	24" x 18" x 41"	20 ³ / ₈ " x 15" x 12 ⁹ / ₁₆ "	66 lbs
UBDW-18-IB30	30" x 18" x 41"	25" x 15" x 12 ⁹ / ₁₆ "	80 lbs
UBDW-18-IB36	36" x 18" x 41"	31" x 15" x 12 ⁹ / ₁₆ "	100 lbs
UBDW-18-IB48	48" x 18" x 41"	43" x 15" x 12 ⁹ / ₁₆ "	140 lbs
UBDW-21-IB24	24" x 21 ¹ / ₄ " x 41"	20 ³ / ₈ " x 18" x 12 ⁹ / ₁₆ "	80 lbs
UBDW-21-IB30	30" x 21 ¹ / ₄ " x 41"	25" x 18" x 12 ⁹ / ₁₆ "	97 lbs
UBDW-21-IB36	36" x 21 ¹ / ₄ " x 41"	31" x 18" x 12 ⁹ / ₁₆ "	120 lbs
UBDW-21-IB48	48" x 21 ¹ / ₄ " x 41"	43" x 18" x 12 ⁹ / ₁₆ "	167 lbs

PRODUCT DATA SHEET

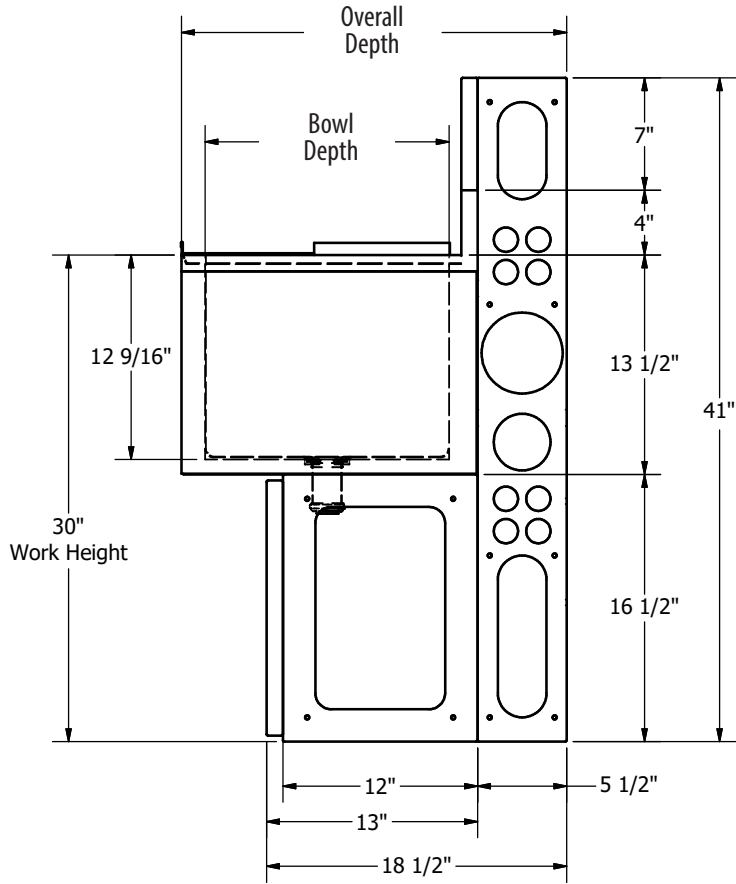
BK RESOURCES



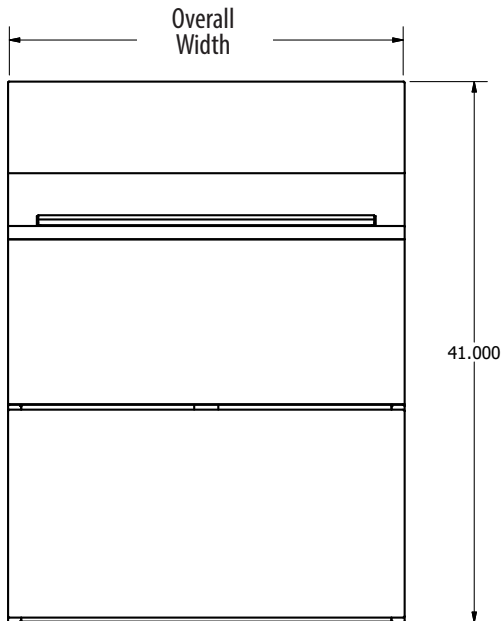


Insulated Ice Bin

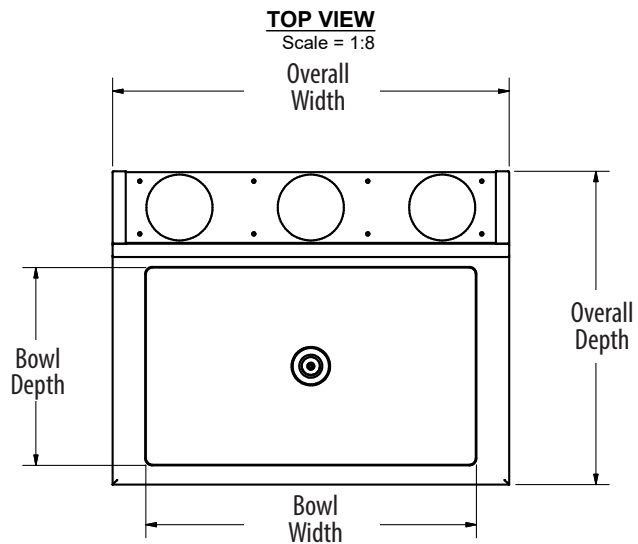
Stainless Steel Ice Bins



SIDE VIEW
Scale = 1:8



FRONT VIEW
Scale = 1:8



TOP VIEW
Scale = 1:8

PRODUCT DATA SHEET

BK RESOURCES

