

Project:	Quantity:
Model #:	Approval:

*For Commercial Use Only*

## CF2 24" Compact Countertop Glass Door Freezer



### FEATURES

- Brilliant internal LED illumination on top
- Digital temperature controller and display
- Double glass door
- Automatic-closing door
- Adjustable PVC coated shelf
- Ventilated cooling system
- Maintenance free condenser
- Automatic defrost
- Lockable door

The Marchia compact freezer glass door display case. The internal LED lighting helps display beverages to your customers. It has an adjustable shelf to allow for the different configuration of drinks. This compact freezer glass display makes a great addition to any bakery, deli, or coffee shop looking for a reasonably priced.

• CE



**U**SR Brands is a US supplier of premium quality commercial cooking, refrigeration and food preparation equipment. Our aim is simple. Produce industry-leading commercial restaurant equipment at reasonable prices, and back it all up with an easy to understand, no nonsense warranty that people can count on.

Project:	Quantity:
Model #:	Approval:

For Commercial Use Only

## TECHNICAL DATA

### DIMENSIONS

Exterior Dimensions	24.4"L x 21.4"D x 27.2"H
Packaging Dimensions	26.8"L x 23.7"D x 29.5"H
Net Volume	3.5 cu. ft.
Unit Weight	90 lb.
Shipping Weight	97 lb.

### ELECTRICAL

Voltage	110-120
Hertz	60
Phase	1
Wattage	170
Amps	1.5
Plug Type	NEMA 5-15P
Power Cord Length	60"

### COOLING

Temperature Range	-7.6°F to 8.6°F
Refrigerant	R290
Defrosting	Automatic
Temperature Controller	Digital

### CONSTRUCTION

Exterior Material	Stainless Steel
Shelf Quantity	3
Shelf Size	Top: 20"L x 13.3"D Middle: 20"L x 13.3"D Bottom: 20"L x 7.5"D
Shelf Material	Coated Wire
Interior Light	L.E.D

## TECHNICAL DIAGRAM

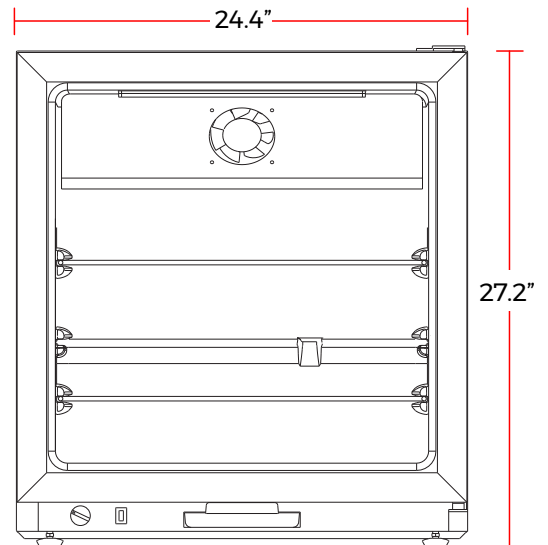
MODEL: **CF2**

MFR ITEM #:



NEMA 5-15P

FRONT VIEW



SIDE VIEW

