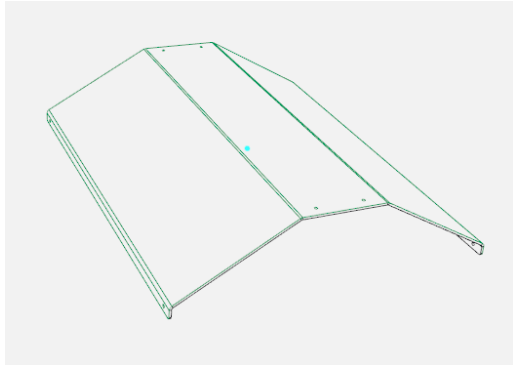


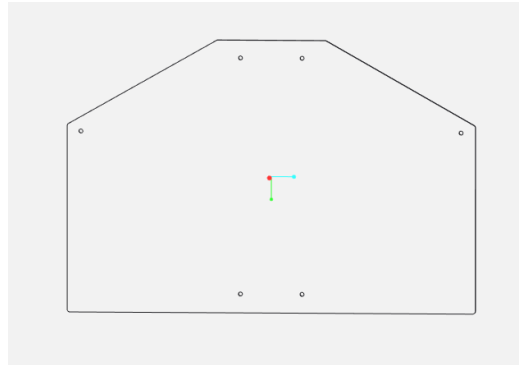
# Sneeze Guard Installation Guide

## Parts:

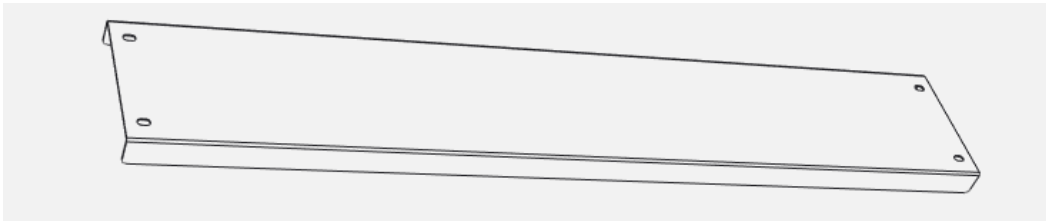
① Sneeze Guard 1pcs



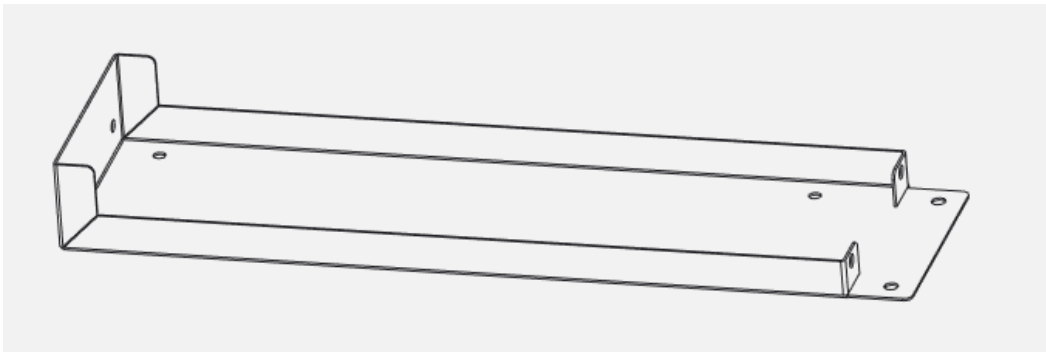
② Sneeze Guard Side Panel 2pcs



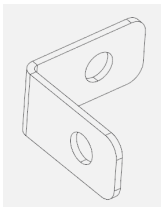
③ Sneeze Guard Upper Bracket 1pcs



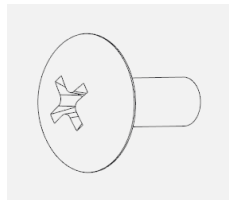
④ Sneeze Guard Left and Right Brackets 2pcs



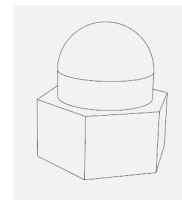
⑤ L Shape Connector 4pcs



⑥ M6x12mm Screw 28pcs

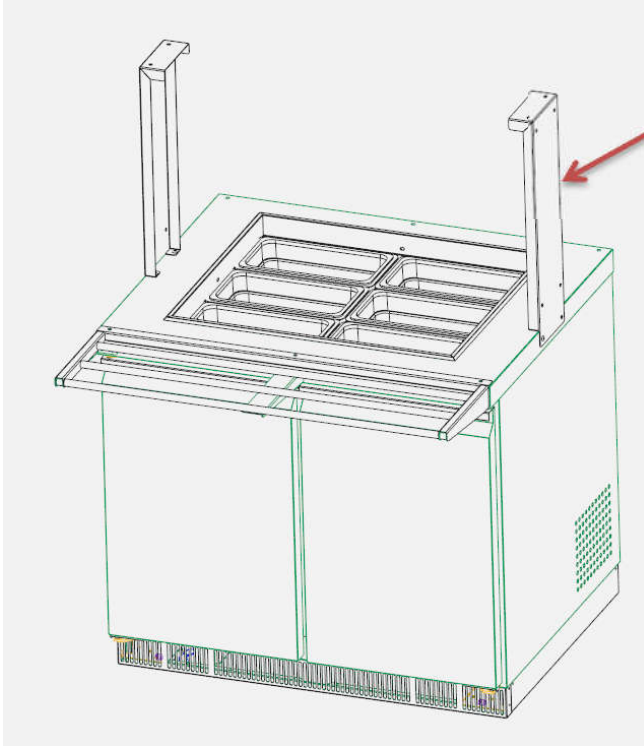


⑦ M6 Nut 20pcs

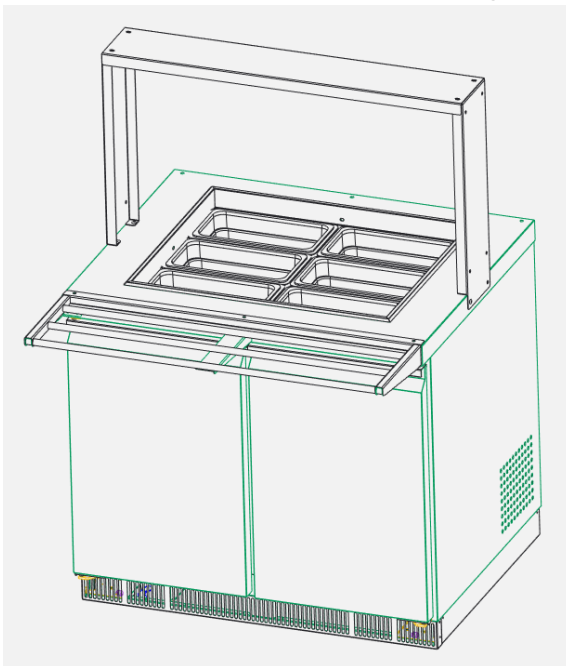


## Installation Steps:

1. Remove the plug from the mounting hole on the platform
2. Install the left and right brackets of the Sneeze Guard in the following position, and tighten the 8 screws connected with the platform

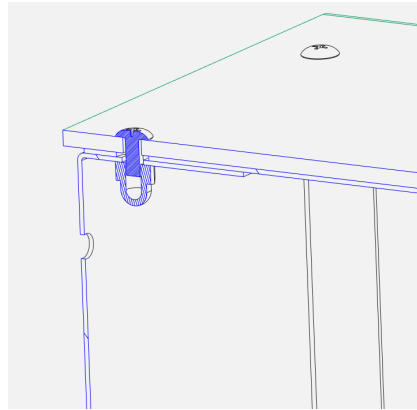
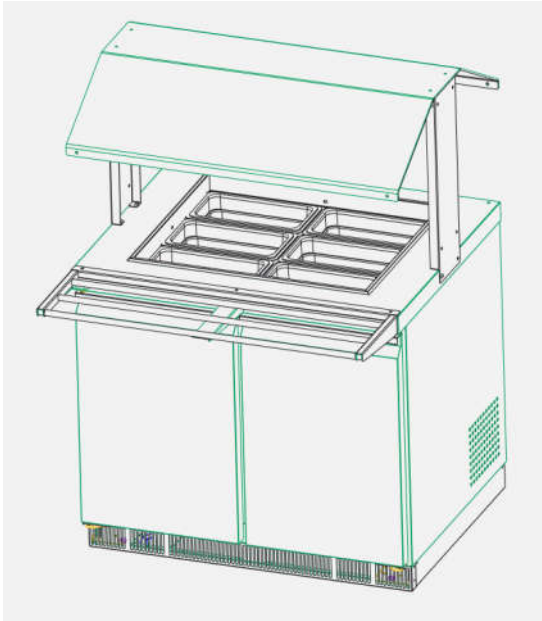


3. Place the upper bracket on the left and right brackets and align the mounting holes for the upper bracket and the left and right brackets

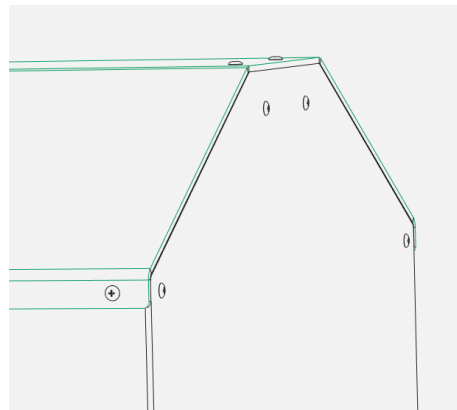
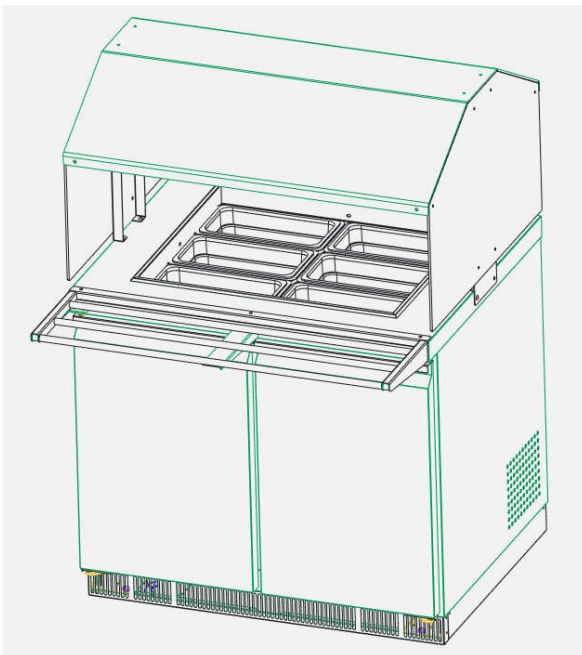


4. Align the top cover with the mounting hole at the top

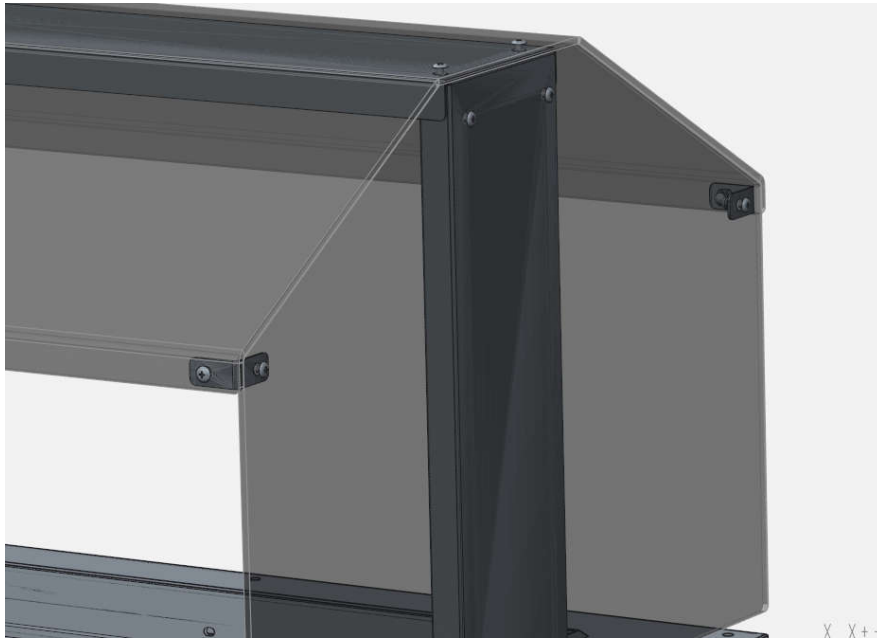
5. Install M6\*12 screws from top to bottom, and fasten M6 nuts at the bottom. There are four mounting holes. Do not tighten the screws yet, wait until the next step is completed.



6. Install the side panels to the mounting holes of the left and right brackets. Align the Sneeze Guard and tighten the screws.



7. Use the L shape connector to connect the top cover and side panels, totally 4 corners as showed in below image, use screws and nuts to fix them in place.



**Installation completed.**