



BEVERAGE-AIR

Project: _____	AIA#
Item: _____	
Location: _____	SIS#
Approved: _____	

BDC-HC DIPPING CABINET FREEZER: Dipping Cabinet

DIPPING CABINET FREEZER

BDC-HC Dipping Cabinet 12-Flavors
Hydrocarbon Series

**MODEL:
BDC-HC-12**



**3 Year Parts/Labor Warranty
Additional 4 Year Compressor Warranty**

CABINET CONSTRUCTION

- Galvanized metal cabinet with powder coated painted surface
- Interior easy to clean per-painted steel
- Adjustable thermostat
- LED lighting
- Glass lids are LowE tempered sliding glass lids with lock and keys standard
- 2" Heavy-duty casters allow easy and fast movement
- Drain plug for easy cleaning
- Lexan sneeze guard
- BDC-12 includes (6) 2- ring tub holds with space for (12) 3 gallon containers, lower level provides extra container storage of (10) 3 gallon containers
- Cold wall refrigeration system, maintains 0° to -10°F

OPTIONS & ACCESSORIES

- Dip Well
- Two ring tub holder

REFRIGERATION SYSTEM

- Refrigeration system uses R290 refrigerant to comply with all environmental concerns
- The unit is best suited for an environment where temperatures remain below 75°F and humidity does not exceed 55%
- Areas with direct sunlight should also be avoided
- Triple access air flow compressor compartment
- Maintenance free condenser



3779 Champion Blvd., Winston-Salem, NC 27105
1-888-845-9800 Fax: 1-336-245-6453
Beverage-Air.com Sales@bevair.com

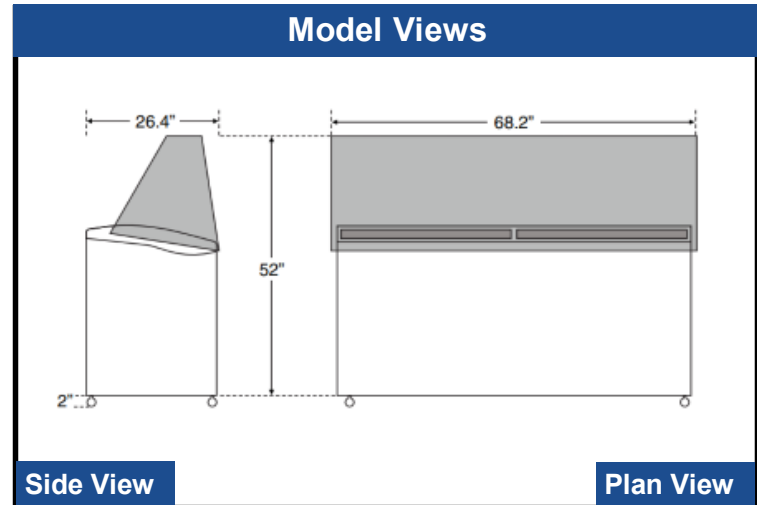


BEVERAGE-AIR

MODEL	BDC-HC-12
EXTERNAL DIMENSIONAL DATA	
Width Overall	68 1/5"
Depth Overall	26 2/5"
Height Overall (with casters)	52"
Tub Holders	6
INTERNAL DIMENSIONAL DATA	
NET Capacity (cubic ft.)	20.9
Capacity- Top holding area	(12) 3 Gallon tubs
Capacity- Bottom holding area	(10) 3 Gallon tubs
ELECTRICAL DATA	
Full Load Amperes	5.2
REFRIGERATION DATA	
Horsepower*	1/3+
Capacity (kw-hr/day)	3.78
WEIGHT DATA	
Gross Weight	280 lbs
Height - Crated	43 2/5"
Width - Crated	69 1/2"
Depth - Crated	27 7/10"

Dipping Cabinet Freezer

Model: BDC-HC-12



*ELECTRICAL CONNECTION



120/60/1
NEMA
5-15P

Units pre-wired at
factory and include 6.5'
long cord and plug set.



3779 Champion Blvd., Winston-Salem, NC 27105 1-888-845-9800 Fax: 1-336-245-6453 Beverage-Air.com Sales@bevair.com

an Ali Group Company



The Spirit of Excellence