



BEVERAGE-AIR

Project: _____	AIA#
Item: _____	
Location: _____	SIS#
Approved: _____	

DUAL TEMPERATURE REFRIGERATOR/FREEZER

MODEL:
HBRF49HC-1-A

HBRF49HC Solid Door Bottom Mount Reach-In
Hydrocarbon Series

HBRF49HC BOTTOM MOUNT DUAL TEMPERATURE REFRIGERATOR/FREEZER

3 Year Parts/Labor Warranty
Additional 4 Year Compressor Warranty

CABINET CONSTRUCTION

- Stainless steel exterior and interior
- Full electronic control with one-touch defrost
- Dual temp refrigerator/freezer units provide two different operating temperature zones for different types of products
- Left: refrigerator section
- Right: freezer section
- One-piece grille allows easy removal/installation for preventative maintenance
- Door locks standard
- Self closing door, 120° stay open feature with spring-loaded style hinges
- Snap-in magnetic door gaskets for easy cleaning and replacement
- Five (5) heavy-duty epoxy coated wire shelves per section
- LED lighting standard
- 6" Heavy-duty casters with (2) brakes
- Certified for open food product



OPTIONS & ACCESSORIES

- Epoxy shelves
- Shelf clips
- 3" Caster or 6" legs
- Wine temperature control
- Door swing orientation (at time of order)
- Remote option* (see note on back page)

REFRIGERATION SYSTEM

- Uses environmentally friendly, energy efficient R290 refrigerant, and meets all regulatory requirements for CARB, SNAP, DOE & more
- Adaptive defrost
- Epoxy coated evaporator coil
- Refrigerator maintains product temperatures between 36°F to 38°F
- Freezer maintains product temperature to -10°F



Please verify qualifying units by visiting:
www.energystar.gov/cfs

3779 Champion Blvd., Winston-Salem, NC 27105
1-888-845-9800 Fax: 1-336-245-6453
Beverage-Air.com Sales@bevaair.com



BEVERAGE-AIR

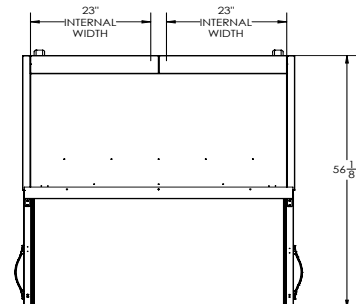
Dual Temp Bottom Mount Reach-In Solid Door Refrigerator / Freezer Model: HBRF49HC-1-A

MODEL	HBRF49HC-1-A
EXTERNAL DIMENSIONAL DATA	
Width Overall	52"
Depth Overall (with handle)	33 3/4"
Height Overall (with casters)	84"
Number of Doors	2
Depth with Door Open 90°	56 1/8"
Door Openings (in)	22 3/4" x 52 5/8"
INTERNAL DIMENSIONAL DATA	
NET Capacity Refrigerator (cubic ft.)	21.01
NET Capacity Freezer (cubic ft.)	21.01
Internal Width Overall (in)	(2) 23"
Internal Depth Overall (in)	(2) 27"
Internal Height Usable (in)	(2) 53"
ELECTRICAL DATA	
Full Load Amperes Refrigerator	2.4
Full Load Amperes Freezer	7.5
REFRIGERATION DATA	
Horsepower* Refrigerator	1/4
Horsepower* Freezer	3/4
Capacity (BTU/Hr)* Refrigerator	1702
Capacity (BTU/Hr)* Freezer	1927
SHIPPING DATA	
Gross Weight - Crated	608 lbs
Height - Crated	88"
Width - Crated	53"
Depth - Crated	35"

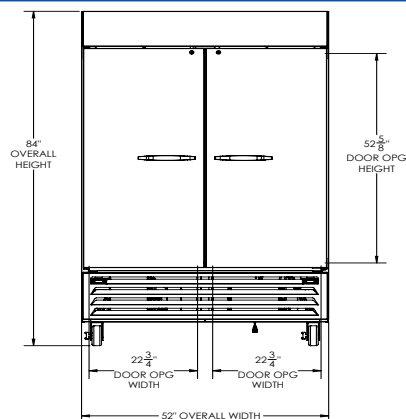
*NOTE: Remote units are field wired and come with 6" legs.
Refrigerant must be specified at time of order.

Model Views

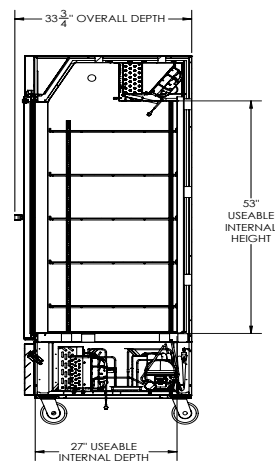
Required Clearance: Top 0", Bottom 3", Rear 3", Sides 0"



PLAN VIEW



ELEVATION VIEW



SIDE VIEW

*ELECTRICAL CONNECTION 115/60/1



(2) NEMA 5-15P

Units pre-wired at factory and include 8' long cord and plug set.



3779 Champion Blvd., Winston-Salem, NC 27105 1-888-845-9800 Fax: 1-336-245-6453 Beverage-Air.com Sales@bevair.com

an Ali Group Company



The Spirit of Excellence