



# BEVERAGE-AIR

|                 |      |
|-----------------|------|
| Project: _____  | AIA# |
| Item: _____     | SIS# |
| Location: _____ |      |
| Approved: _____ |      |

## BOTTOM MOUNT REACH-IN FREEZERS

HBF44HC Solid Door Bottom Mount Freezer  
Hydrocarbon Series

**MODEL:**  
**HBF44HC-1**

**HBF44HC BOTTOM MOUNT MODELS: HORIZON SERIES**

**3 Year Parts/Labor Warranty**  
**Additional 4 Year Compressor Warranty**

### CABINET CONSTRUCTION



- Stainless steel front, side, and grille (galvanized back & bottom)
- Stainless steel interior
- LED lighting
- Full electronic control with one-touch defrost
- Expansion valve technology
- One-piece grille allow easy removal/installation for preventative maintenance
- Door locks (solid doors only)
- Self closing door with 120° stay open feature
- Spring-loaded style hinges
- Plug-in magnetic door gaskets
- Three (3) heavy duty epoxy coated wire shelves per door section
- 6" Casters with two (2) brakes

### OPTIONS & ACCESSORIES

- Stainless steel universal tray slide pair, 1 tray slide set for (1) 18" x 26" or (2) 14" x 18" pans (AC)
- 3" caster or 6" legs
- Epoxy shelves
- Shelf clips
- Remote option\* (see note on back page)

### REFRIGERATION SYSTEM

- Uses environmentally friendly, energy efficient R290 refrigerant, and meets all regulatory requirements for CARB, SNAP, DOE & more
- Hot gas condensate evaporator
- Adaptive defrost
- Epoxy coated evaporator coil
- Freezer capable of maintaining product temperature down to -10°F



Please verify qualifying units by visiting:  
[www.energystar.gov/cfs](http://www.energystar.gov/cfs)

3779 Champion Blvd., Winston-Salem, NC 27105  
1-888-845-9800 Fax: 1-336-245-6453  
Beverage-Air.com Sales@bevair.com



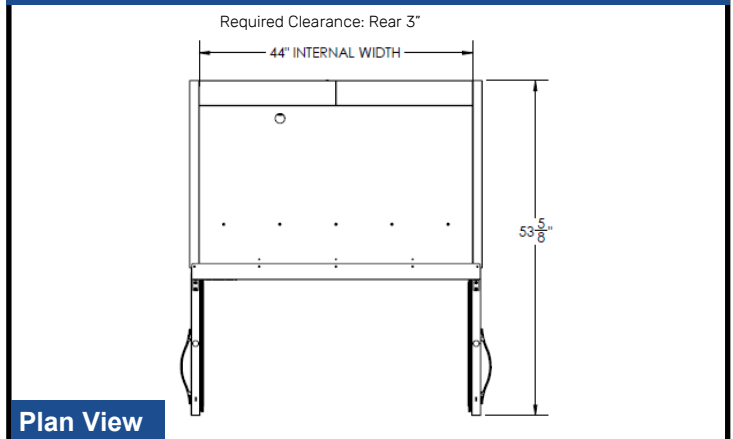
# BEVERAGE-AIR

## Bottom Mount Reach-ins Freezer Model: HBF44HC-1

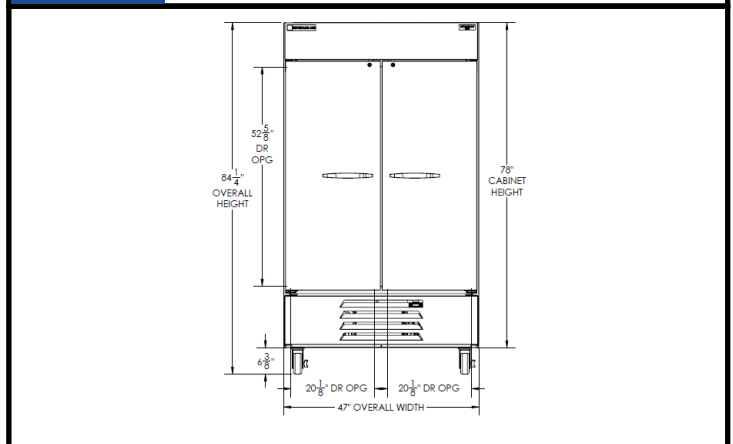
| MODEL                            | HBF44HC-1             |
|----------------------------------|-----------------------|
| <b>EXTERNAL DIMENSIONAL DATA</b> |                       |
| Width Overall                    | 47"                   |
| Depth Overall with Handle        | 33 3/4"               |
| Height Overall with 6" Casters   | 84 1/4"               |
| Number of Doors                  | 2                     |
| Depth with Door Open 90°         | 53 5/8"               |
| Door Opening (in)                | (2) 20 1/8" x 52 5/8" |
| <b>INTERNAL DIMENSIONAL DATA</b> |                       |
| NET Capacity (cubic ft.)         | 44                    |
| Internal Width Overall (in)      | 44"                   |
| Internal Depth Overall (in)      | 26"                   |
| Internal Height Overall ( in)    | 61 5/8"               |
| Internal Height Useable ( in)    | 53"                   |
| Number of Shelves                | 6                     |
| <b>ELECTRICAL DATA</b>           |                       |
| Full Load Amperes 115/60/1       | 11.0                  |
| <b>REFRIGERATION DATA</b>        |                       |
| Horsepower                       | 3/4                   |
| Capacity (BTU/Hr)*               | 2312                  |
| <b>SHIPPING DATA</b>             |                       |
| Gross Weight - Crated            | 562 lbs               |
| Height - Crated                  | 85"                   |
| Width - Crated                   | 49"                   |
| Depth - Crated                   | 36"                   |

\*NOTE: Remote units are field wired and come with 6" legs. Refrigerant must be specified at time of order.

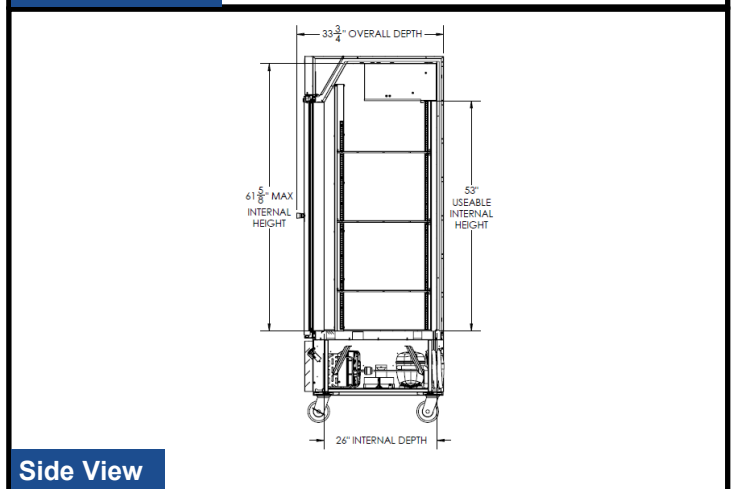
### Model Views



Plan View



Elevation View



Side View

### ELECTRICAL CONNECTION



115/60/1  
NEMA-5-15P

Units pre-wired at factory and include 8' long cord and plug set.



3779 Champion Blvd., Winston-Salem, NC 27105 1-888-845-9800 Fax: 1-336-245-6453 Beverage-Air.com Sales@bevair.com

an Ali Group Company



The Spirit of Excellence