



BEVERAGE-AIR®

Project: _____	AIA#
Item: _____	
Location: _____	SIS#
Approved: _____	

SF34HC Shallow Well Series: Horizontal Bottle Coolers

HORIZONTAL BOTTLE COOLERS

MODEL:
SF34HC-S

SF34HC Shallow Well Hydrocarbon Series



3 Year Parts/Labor Warranty
Additional 4 Year Compressor Warranty

CABINET CONSTRUCTION

- Stainless steel exterior
- Galvanized steel interior and floor
- Tops include easy glide, stainless steel lids and stainless steel countertop
- Countertop with integral glass stops
- Two (2) epoxy coated adjustable wire dividers
- Bottle opener and cap catcher standard
- Constructed with high cooling RPM fans to provide fast cooling

OPTIONS & ACCESSORIES

- Black exterior
- Stainless steel interior
- Lid locks
- Remote option*
(refrigerant must be specified at time of order, see note on back on page)

REFRIGERATION SYSTEM

- Uses environmentally friendly, energy efficient R290 refrigerant, and meets all regulatory requirements for CARB, SNAP, DOE & more
- Built-in condensate evaporator system
- Adaptive defrost
- Forced air refrigeration system holds product between 32° - 38°F



Please verify qualifying units by visiting:
www.energystar.gov/cfs

3779 Champion Blvd., Winston-Salem, NC 27105
1-888-845-9800 Fax: 1-336-245-6453
Beverage-Air.com Sales@bevair.com

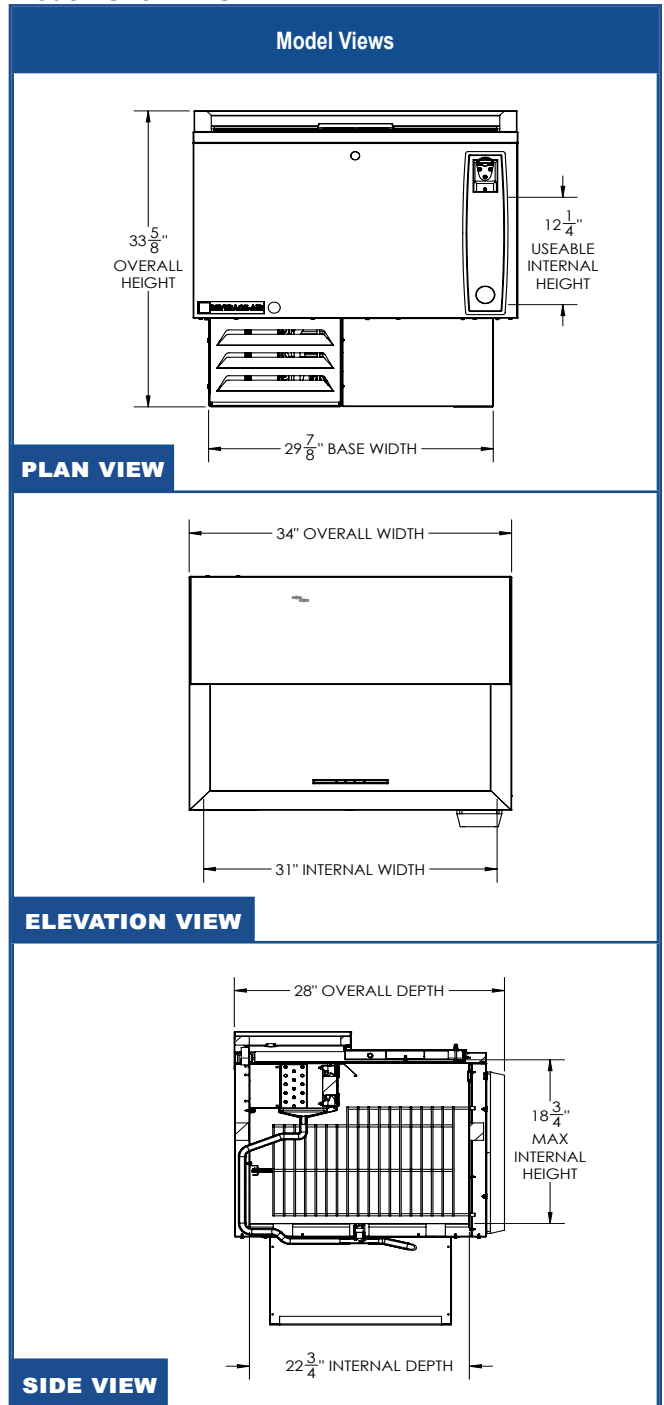


BEVERAGE-AIR


MODEL	SF34HC-S
EXTERNAL DIMENSIONAL DATA	
Width Overall	34"
Depth Overall	28"
Height Overall	33 5/8"
Number of Lids	1
INTERNAL DIMENSIONAL DATA	
NET Capacity (cubic ft.)	6.7
Internal Width Overall (in)	31"
Internal Depth Overall (in)	22 3/4"
Internal Height Overall (in)	18 3/4"
ELECTRICAL DATA	
Full Load Amperes	1.2
REFRIGERATION DATA	
Horsepower	1/10
Capacity (BTU/Hr)	1110
SHIPPING DATA	
Gross Weight - Crated	228 lbs
Height - Crated	38"
Width - Crated	41"
Depth - Crated	30"

*NOTE: Remote units are field wired and come with 6" legs.
Refrigerant must be specified at time of order.

Bar Equipment - Horizontal Bottle Coolers Model: SF34HC-S



***ELECTRICAL CONNECTION**

 **115/60/1 NEMA 5-15P** Units pre-wired at factory and include 8' long cord and plug set.

3779 Champion Blvd., Winston-Salem, NC 27105 1-888-845-9800 Fax: 1-336-245-6453 Beverage-Air.com Sales@bevoir.com

an Ali Group Company



The Spirit of Excellence