



BB Series

Back Bar Refrigerator with Swing Door



BB Series
02/05/20
Item # 13536

- BB59
- BB80
- BB59-S*
- BB80-S*
- BB69
- BB95
- BB69-S*
- BB95-S*



BB59



BB59-S*



BB69(-S*)



BB80(-S*)



BB95(-S*)

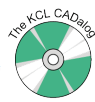
Item #: _____
 Project: _____
 Qty: _____
 AIA#: _____

Features

- ▶ Engineered to maintain NSF-7 temperatures in 100°F ambient. (Certified to NSF-7 temperatures in 86°F ambient.)
- ▶ Heavy duty 18-gauge stainless steel top with fully welded corners
- ▶ Maximum product storage capacity with the ability to store tall boys three high per section

- Black vinyl coated exterior front, sides, and rear
- Doors come with a stainless steel interior liner are self-closing and include locks
- Stainless steel interior with LED lights
- Electronic controller with digital LED display (°F or °C)
- Includes (2) gray epoxy coated shelves per section with product stops
- Stainless steel shelf clips adjustable in 1/2" increments
- Front breathing, side mount refrigeration is easily accessible by sliding out front for cleaning and service
- Zero clearance requirements sides and rear
- Cabinets are designed to maintain interior temperatures between 32°F to 38°F
- Environmentally friendly R290 refrigerant

| Model | Cabinet Dimensions W x D x H | Capacity (AHAM) cu ft | Capacity 12oz. cans | Door(s) | Shelves | 1/2 Barrel(s) | HP | Amps | Voltage | NEMA Plug | Shipping Dimensions L x W x H | Shipping Weight (lbs.) |
|-----------|---------------------------------|--------------------------|------------------------|---------|---------|------------------|-----|------|---------|-------------|----------------------------------|---------------------------|
| BB59(-S*) | 59.5" x 29" x 36.88" | 18.16 ft ³ | 852 | 2 | 4 | 3 | 1/3 | 2.5 | 115 | 8 ft. 5-15P | 62.5" x 31.25" x 42.75" | 315 / 320 (-S) |
| BB69(-S*) | 69.5" x 29" x 36.88" | 21.80 ft ³ | 1014 | 2 | 4 | 3 | 1/3 | 2.5 | 115 | 8 ft. 5-15P | 72.5" x 31.25" x 42.75" | 350 / 390 (-S) |
| BB80(-S*) | 80" x 29" x 36.88" | 28.74 ft ³ | 1092 | 3 | 6 | 4 | 1/3 | 2.5 | 115 | 8 ft. 5-15P | 72.5" x 31.25" x 42.75" | 375 / 420 (-S) |
| BB95(-S*) | 95.5" x 29" x 36.88" | 32.53 ft ³ | 1302 | 3 | 6 | 5 | 1/3 | 2.5 | 115 | 8 ft. 5-15P | 98.5" x 31.25" x 42.75" | 450 / 480 (-S) |



Options & Accessories

- * (-S) Stainless steel exterior option available - made to order.
- HS-5408 - Caster & rail kit (2 rails, 4 casters, hardware)
- HS-5409 - Caster & rail kit (3 rails, 6 casters, hardware)
- HS-5515 - Bottle rail guide

Warranty

- 3 Year Parts and labor
- 5 year Compressor

Hoshizaki reserves the right to change specifications without notice.

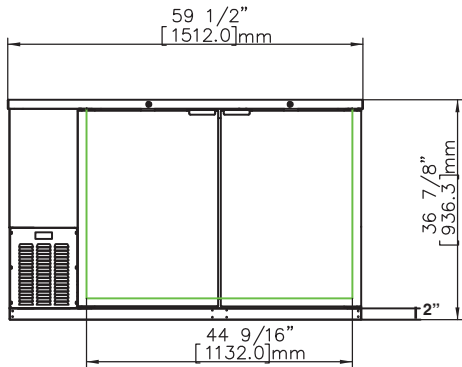


BB Series

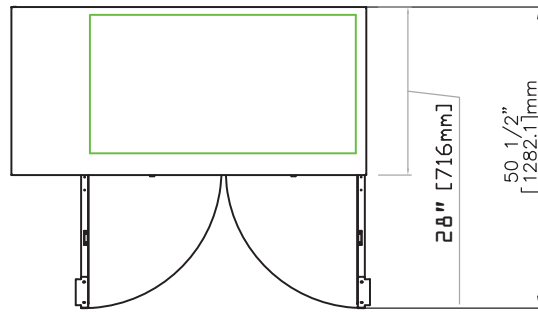
Back Bar Refrigerator with Swing Door



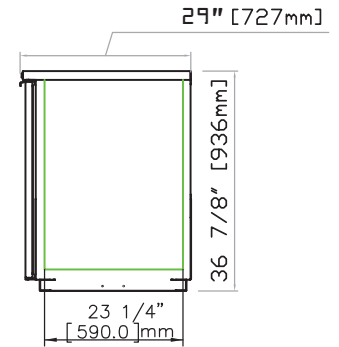
BB Series
02/05/20
Item # 13536



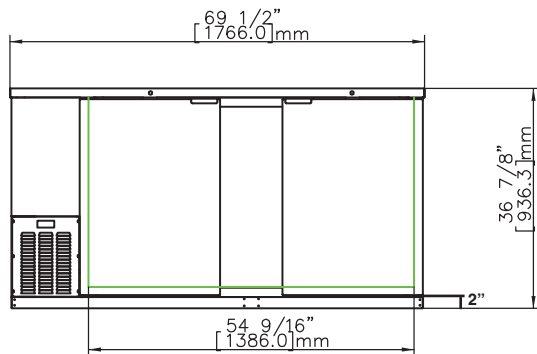
BB59(-S) Front View



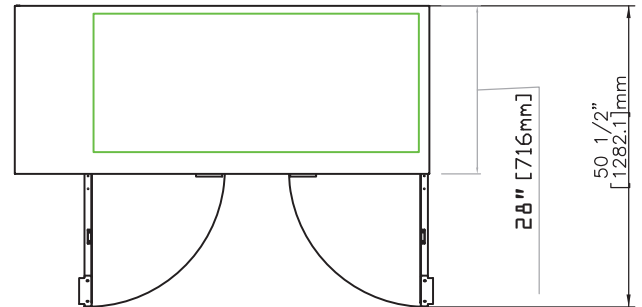
BB59(-S) Plan View



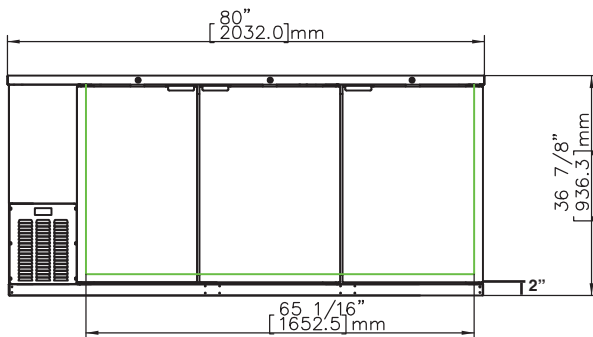
All models Side View



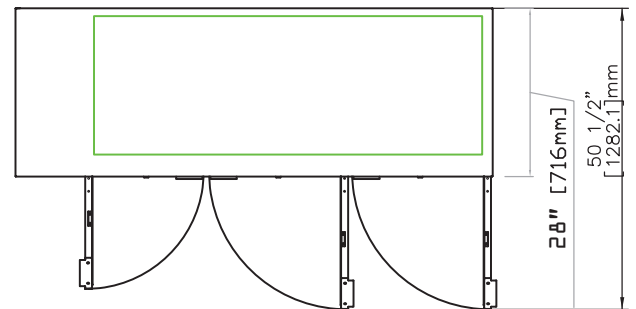
BB69(-S) Front View



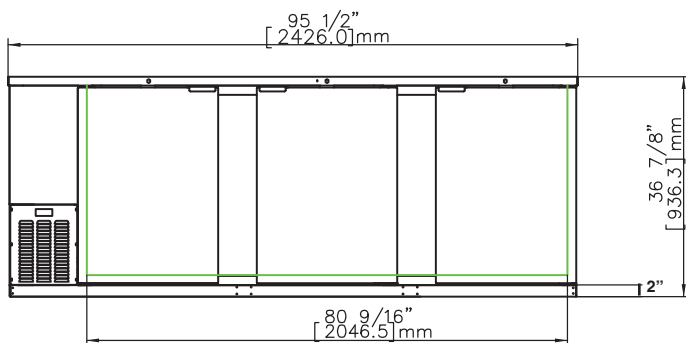
BB69(-S) Plan View



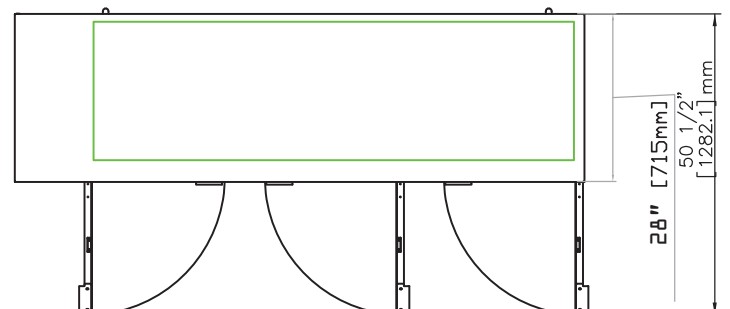
BB80(-S) Front View



BB80(-S) Plan View



BB95(-S) Front View



BB95(-S) Plan View