



# Underbar Sinks

## Stainless Steel Underbar Sinks



Use your smart phone to scan the above QR code to visit our website:  
[www.bk-resources.com](http://www.bk-resources.com)

### Certifications:



### Features:

- Integrally Welded Bowls 10"(l) x 14"(w) x 10"(d)
- Stamped and Pitched Drainboards
- Standard 21" Depth
- Includes: BKD-10-G Faucet, BKDR-2 Basket Drains, BK-OT-15075 7" Overflow Tubes
- Stainless Legs Install Directly Into the Sink Body

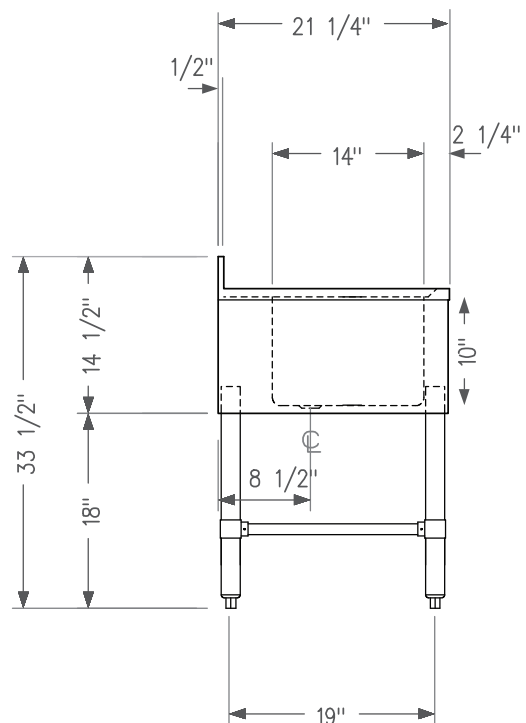
### Options:

- Upgraded Bullet Feet

### Material:

- T-304 18 ga. Stainless Steel
- Adjustable High Impact Corrosion Resistant Feet

Length	Part Number	# of Bowls	Sets of Faucet Holes	Drainboard Size	Product Weight (lbs)
24"	UB4-21-224S	2	1	N/A	37.00
36"	UB4-21-336S	3	1	N/A	
48"	UB4-21-248TS	2	1	(2) - 13 <sup>3</sup> / <sub>16</sub> "	48.00
	UB4-21-348LS	3	1	(1) L - 13 <sup>5</sup> / <sub>8</sub> "	
60"	UB4-21-348RS	3	1	(1) R - 13 <sup>5</sup> / <sub>8</sub> "	72.00
	UB4-21-360TS	3	1	(2) - 13 <sup>1</sup> / <sub>2</sub> "	62.00
72"	UB4-21-372TS	3	1	(2) - 19"	67.00
	UB4-21-472TS	4	2	(2) - 13 <sup>3</sup> / <sub>4</sub> "	68.00
84"	UB4-21-384TS	3	1	(2) - 25"	74.00
	UB4-21-484TS	4	2	(2) - 19"	81.00
	UB4-21-396TS	3	1	(2) - 31"	76.00
96"	UB4-21-496TS	4	2	(2) - 25"	



PRODUCT DATA SHEET