



Corner Cabinet Base Work Tables

Stainless Steel Corner Cabinet Base Tables

With Hinged Doors & Locks

Features:

- Corner design allows for a custom look
- 1 5/8" x 6" Straight S/S Leg
- Legs Adjust 1" in Height
- Truck Line Only
- Casters Available

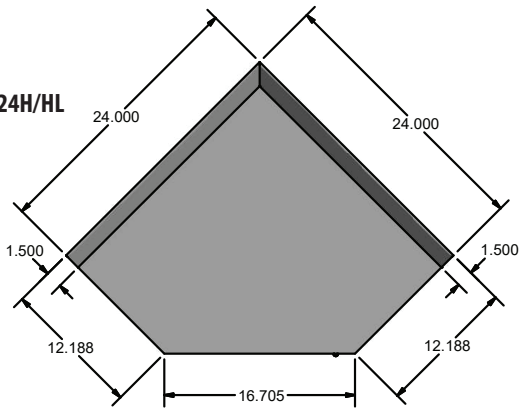
Material:

- T-304 14 ga. Stainless Steel Top
- T-304 18 ga. Stainless Steel Body
- Stainless Steel Legs & Feet
- Choose between hinged doors, or hinged doors & lock

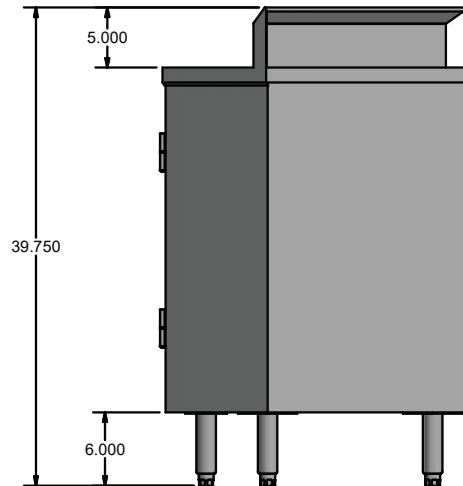
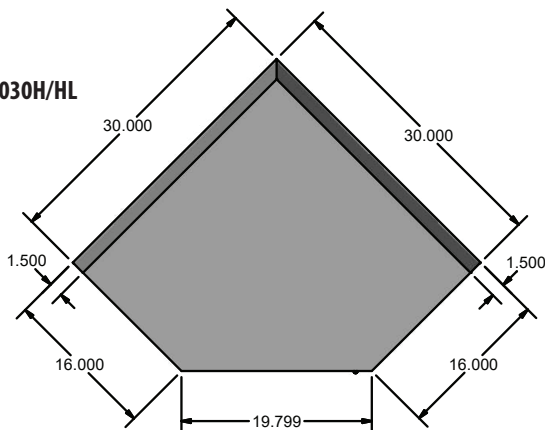


Size	Hinged Doors	Hinged Doors & Lock
24" x 24"	BKDCR5C-2424H	BKDCR5C-2424HL
30" x 30"	BKDCR5C-3030H	BKDCR5C-3030HL

BKDCR5C-2424H/HL



BKDCR5C-3030H/HL



PRODUCT DATA SHEET

BK RESOURCES

