



Antimicrobial Hand Sinks with Side Splash

Hand Sinks



APHS-W1410-SSBE

Features:

- Integral baffles offer extra rigidity and support
- Textured finish resists scratches and abrasions
- 100% Recyclable
- Side Splashes
- Patent Pending

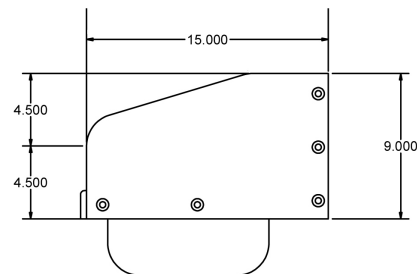
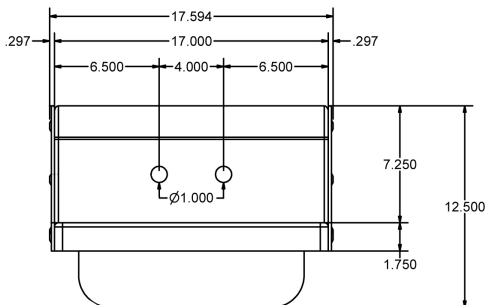
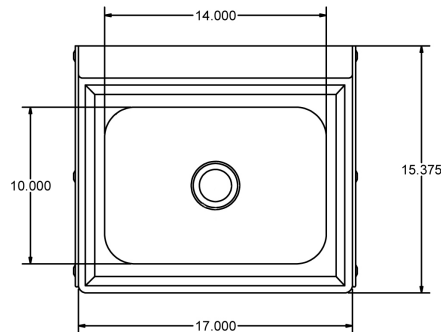
Material:

- Polypropylene
- Infused with an Inorganic Antimicrobial Agent

APHS-W1410-WBSS is our full packaged kit that includes:

- Evolution Stainless Steel 4" Gooseneck Faucet
- Side Splashes
- Color Coded Waterline Connections
- Full Color P.O.P. Box
- Blue Hand & Nail Brush

MODEL	Included Faucet	Faucet Holes	Side Splash	Bowl Size	UNIT SIZE (l x w)	Product Weight (lbs)
APHS-W1410-SSB	N/A	2	Dual	14" x 10" x 5"	15 3/8" x 17"	12.00
APHS-W1410-LSB	N/A	2	Left	14" x 10" x 5"	15 3/8" x 17"	10.00
APHS-W1410-RSB	N/A	2	Right	14" x 10" x 5"	15 3/8" x 17"	10.00
APHS-W1410-WBSS	EVO-4SM-4G	2	Dual	14" x 10" x 5"	15 3/8" x 17"	18.00
APHS-W1410-SSBE	EVO-4SM-4G	2	Dual	14" x 10" x 5"	15 3/8" x 17"	18.00
APHS-W1410-SSBPG	BKF-W-3G-G	2	Dual	14" x 10" x 5"	15 3/8" x 17"	14.00
APHS-W1410-1SSFA	SFA-USB	(2) Adapter for 1 Hole	Dual	14" x 10" x 5"	15 3/8" x 17"	18.00



PRODUCT DATA SHEET

BK RESOURCES

