



Three Compartment Dish Table with S/S Legs & End Bracing - Left Side

Dish Tables



Use your smart phone to scan the above QR code to visit our website:
www.bk-resources.com

Certifications:



Features:

- 20" x 20" x 12" (d) Bowls
- 1 5/8" Rolled Edge
- (3) BKDR-4 Basket Drains Included
- (2) BK-SDTS Tray Guide
- (1) BK-PRB-5 Pre-Rinse Basket
- PG Unit Includes BKF-SMPR-WB-G & (3) BK-LWR-1 & Installed Lever Drain Brackets

Material:

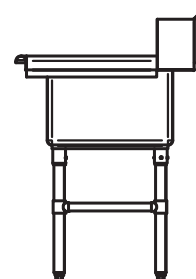
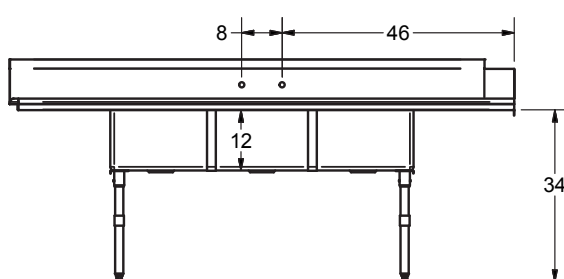
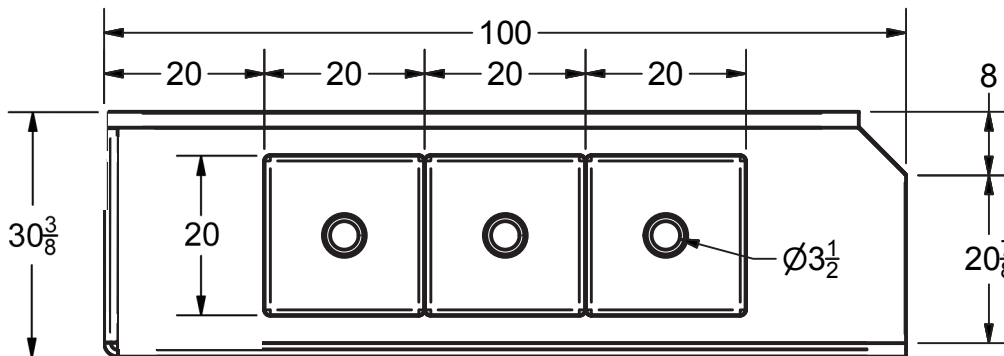
- T-304 18 ga. Stainless Steel Top & Bowl
- Stainless Steel Legs & Bracing
- Adjustable S/S Over Plastic Bullet Feet



Options:

- Left Side or Right Side Units Available

Part Number	Overall Dim. (l x w x h)	Pre-Rinse	Lever Drains	Product Weight (lbs)
BKSDT-3-20-12-20LS	100" x 30 1/2" x 44"	-	-	132.00
BKSDT-3-20-12-20LSPG	100" x 30 1/2" x 44"	BKF-SMPR-WB-G	(3) BK-LWR-1	144.00



PRODUCT DATA SHEET

BK RESOURCES

