



Marine Edge Soak Sink

Stainless Steel Soak Sinks



Use your smart phone to scan the above QR code to visit our website:
www.bk-resources.com



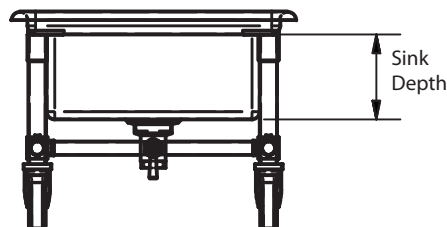
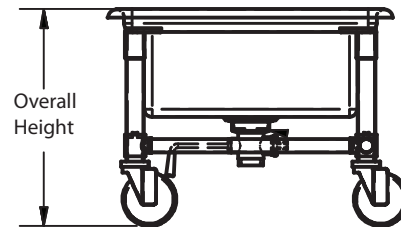
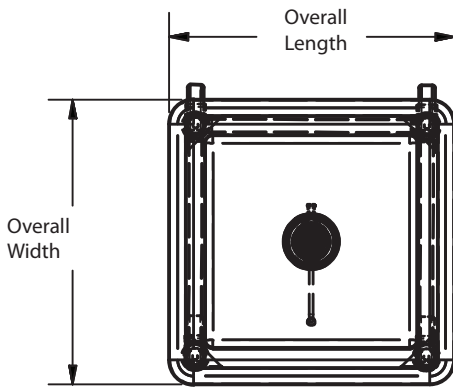
Features:

- 5" Polyurethane Casters w/ Top Lock Brake
- Twist Drain Included
- Corner Bumpers
- 20" Work Height

Material:

- T-304 16 ga. Stainless Steel
- S/S Gussets, Legs & Cross Bracing
- Polyurethane Casters

Part Number	Overall Dim. (l x w x h)	Sink Depth	Product Weight (lbs)
BKS-1-SK-20-8-ME	26 ⁷ / ₈ " x 26 ⁷ / ₈ " x 21 ³ / ₄ "	8"	55.00



PRODUCT DATA SHEET

BK RESOURCES

