



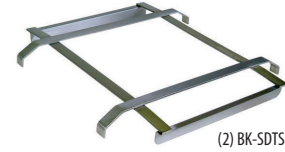
# Three Compartment Dish Table with S/S Legs & End Bracing - Right Side

## Dish Tables



Use your smart phone to scan the above QR code to visit our website:  
[www.bk-resources.com](http://www.bk-resources.com)

### Certifications:



### Features:

- 18" x 20" x 14" (d) Bowls
- 1 5/8" Rolled Edge
- (3) BKDR-4 Basket Drains Included
- (2) BK-SDTS Tray Guide
- (1) BK-PRB-5 Pre-Rinse Basket
- PG Unit Includes BKF-SMPR-WB-G & (3) BK-LWR-1 & Installed Lever Drain Brackets

### Material:

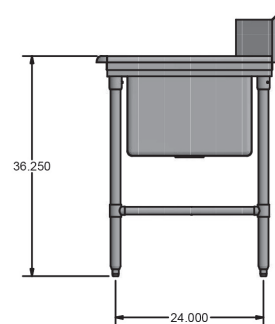
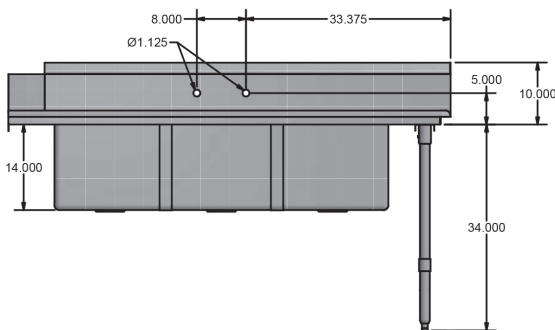
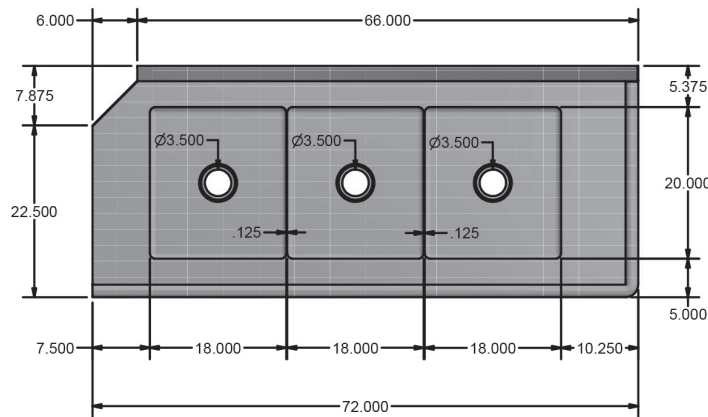
- T-304 18 ga. Stainless Steel Top & Bowl
- Stainless Steel Legs & Bracing
- Adjustable S/S Over Plastic Bullet Feet



### Options:

- Left Side or Right Side Units Available

Part Number	Overall Dim. (l x w x h)	Pre-Rinse	Lever Drains
BKSDT-3-1820-14-RS	72" x 30 3/8" x 44"	-	-
BKSDT-3-1820-14-RSPG	72" x 30 3/8" x 44"	BKF-SMPR-WB-G	(3) BK-LWR-1



PRODUCT DATA SHEET

BK RESOURCES

