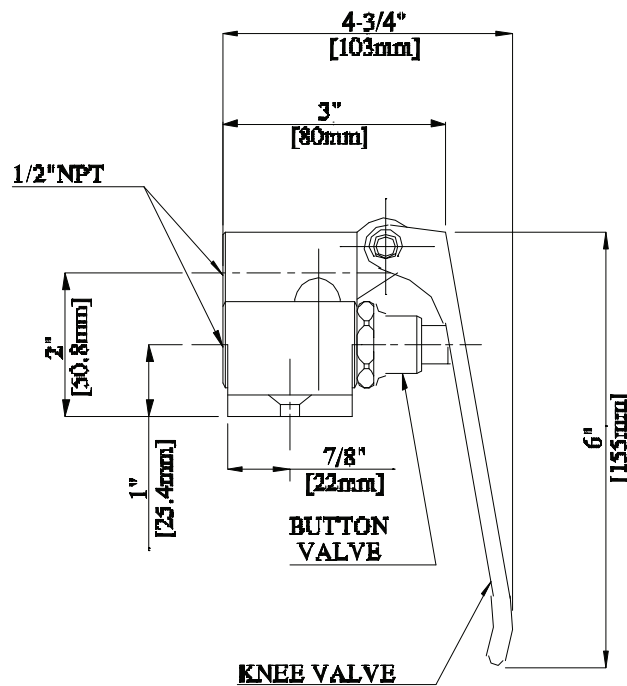
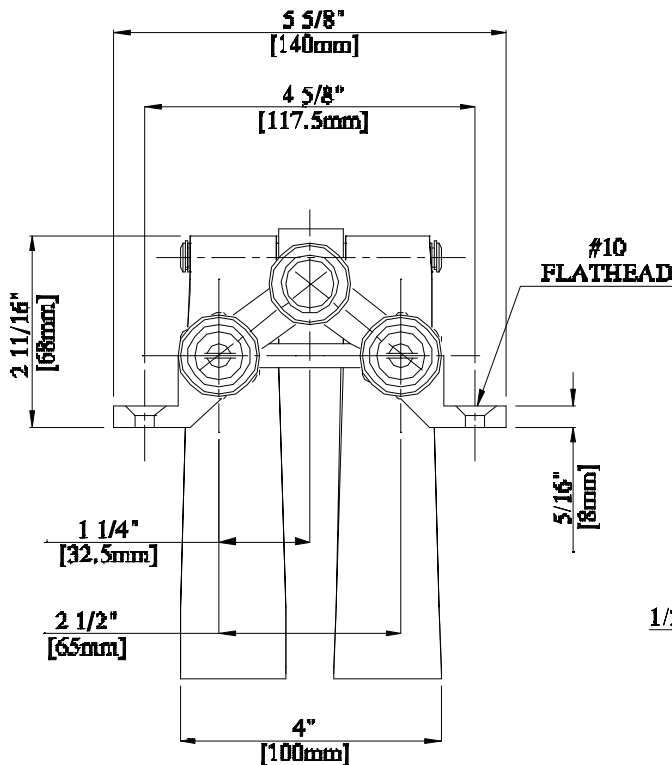
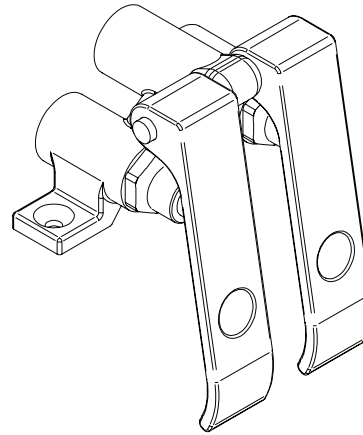




Use your smart phone to scan the above QR code to visit our website: www.bk-resources.com

# Dual Pedal Knee Valve

Model: BKKV-G, Lead Free



### Product Specifications:

- Cast Body
- Chrome Plated Pedals

### Certifications:



PRODUCT SPECIFICATION SHEET

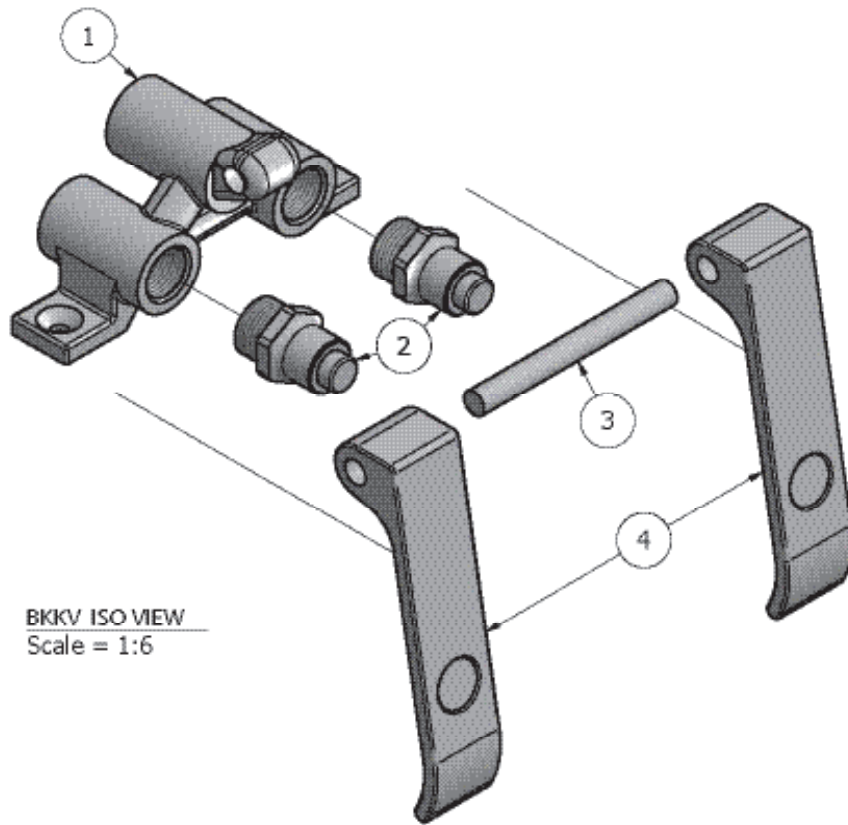
RESOURCES





## Dual Pedal Knee Valve

Model: BKKV-G, Lead Free



### Exploded Parts Detail:

Diagram #	Quantity	Part Number	Description
1	1	BKKV-G	Mixing Valve
2	2	BKKV-010XST-G	Cartridge
3	1	BKKV-PIN	Pin 1
4	2	BKKV-HP/CP	Handle

