



Drawer Assemblies

**Stainless Steel Drawer Assembly
For Metal or Wood Tables**



Use your smart phone to scan the above QR code to visit our website:
www.bk-resources.com

Certifications:



Shown as
BKDWR-2015-ASSY-SS

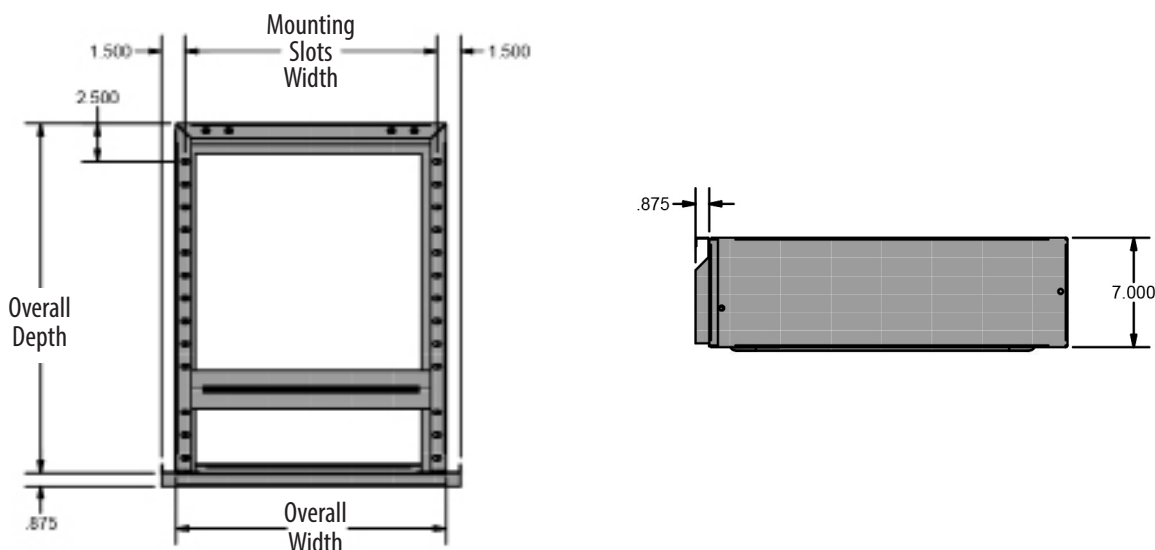
Features:

- ADA Compliant
- 200 lb Capacity
- Pan Easily Removes For Cleaning
- 5" Deep Pans

Options:

- Drawer Assemblies are designed to be used with metal or wood tables
- Universal mounting kit included to attach to metal tables
- 20 x 20 and 20 x 15 fit both 24", 30", and 36" table depths

Part Number	NSF	Drawer Pan Size (d x w)	Overall Depth	Overall Width	Mounting Slots Width	Lock Included	Pan Material	Product Weight (lbs)
BKDWR-1820-ASSY-SS	✓	15" x 20"	17"	23 1/4"	22"	No	S/S	29.00
BKDWR-1820-ASSY-L-SS	✓	15" x 20"	17"	23 1/4"	22"	Yes	S/S	29.00
BKDWR-2020-ASSY-SS	✓	20" x 20"	23"	23 1/4"	22"	No	S/S	30.50
BKDWR-2020-ASSY-L-SS	✓	20" x 20"	23"	23 1/4"	22"	Yes	S/S	30.50
BKDWR-2015-ASSY-SS	✓	20" x 15"	23"	17 7/8"	16 5/8"	No	S/S	27.00
BKDWR-2015-ASSY-L-SS	✓	20" x 15"	23"	17 7/8"	16 5/8"	Yes	S/S	27.50



PRODUCT DATA SHEET

BK RESOURCES

