



RESOURCES

Two Compartment - One Drainboard

Stainless Steel Compartment Sinks



Use your smart phone to scan the above QR code to visit our website:
www.bk-resources.com

Certifications:



Faucet Sold Separately

Features:

- 1/4" Pitched Drainboards To Ensure Proper Drainage
- 1 1/2" Rounded Front and Side Edges
- Accommodates 8" On Center Faucets
- Drains Included
- 10" Backsplash
- S/S Basket Drain

Options:

- Pre-Rinse Units & Faucets
- Lever Drains
- Slant Rack Shelf (BK-SSH)
- End Splash (BKS-RES)

Material:

- T-304 16 ga. Stainless Steel Deck & Bowls
- Stainless Steel Legs
- Stainless Steel End Bracing
- Adjustable Stainless Steel over Plastic Bullet Feet

*** Please specify Left or Right Drainboard**

Part Number	Unit Size (l x w)	Bowl Dim. (l x w x d)	Sets of Faucet Holes	Drainboard Size	Legs	Product Weight (lbs)
BKS6-2-1620-14-18L/RS	54 ^{3/16} " x 25 ^{1/2} "	16" x 20" x 14"	1	(1)L/R - 18"	Stainless Steel w/ End Bracing	78.00
BKS6-2-18-14-18L/RS	58 ^{3/16} " x 23 ^{1/2} "	18" x 18" x 14"	1	(1)L/R - 18"	Stainless Steel w/ End Bracing	70.00
BKS6-2-24-14-24L/RS	76 ^{3/16} " x 29 ^{1/2} "	24" x 24" x 14"	1	(1)L/R - 24"	Stainless Steel w/ End Bracing	101.00

PRODUCT DATA SHEET

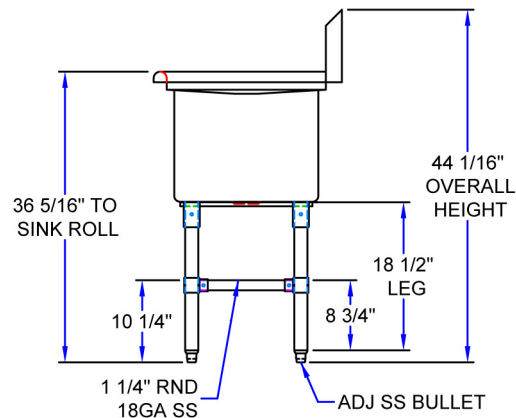
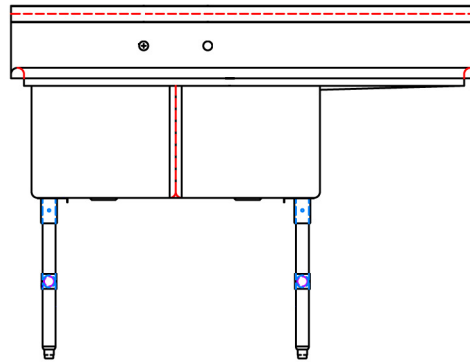
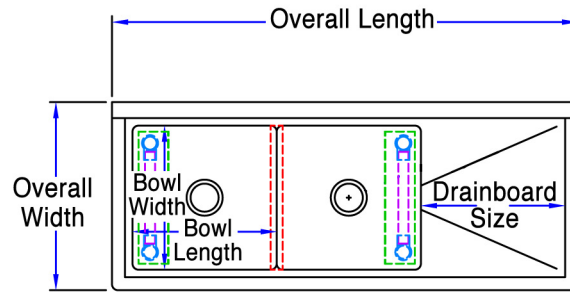
RESOURCES





Two Compartment - One Drainboard

Stainless Steel Compartment Sinks



PRODUCT DATA SHEET

BK RESOURCES

