



Microwave Shelf

Stainless Steel Shelving



Use your smart phone to scan the above QR code to visit our website:
www.bk-resources.com

Certifications:



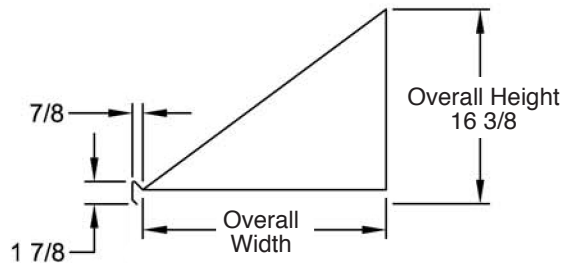
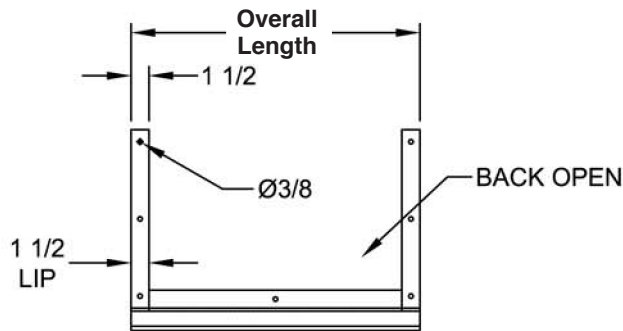
Features:

- 15° Angle Supports
- 1-1/2" Mounting Back Lip
- Solid Base

Material:

- T-304 or T-430 Stainless Steel

Part Number	Unit Size (l x w)	Material	Gauge	Product Weight (lbs)
BKMWS-2024	24" x 20"	T-304	16 ga.	19.50
BKMWS-2030	30" x 20"	T-304	16 ga.	22.50
BKMWS-1824	24" x 18"	T-430	18 ga.	15.50
BKMWS-2424	24" x 24"	T-430	18 ga.	19.00



PRODUCT DATA SHEET