



Flat Top Work Tables

14 Ga. Stainless Steel Work Tables



Use your smart phone to scan the above QR code to visit our website:
www.bk-resources.com

Certifications:



Features:

- Two (2) Sound Deadened Integrally Welded 5" "C" Channels to Reinforce and Maintain Level Working Surface
- 1 5/8" Diameter Stainless Steel Legs

Options:

- Single & Double Overshelves
- Drawer Assemblies
- Casters
- Extra Shelves
- Adjustable Table Mount Pot Rack

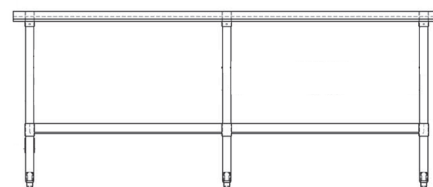
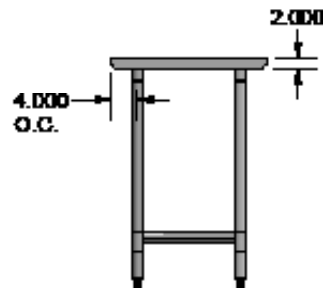
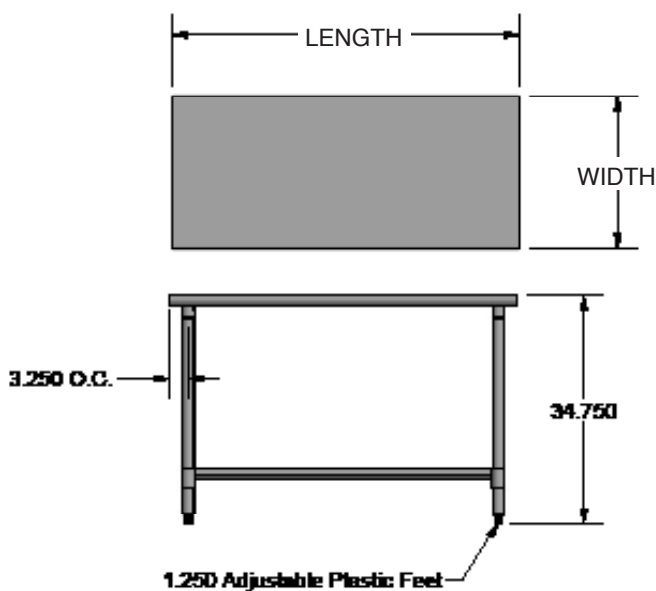
Material:

- T-304 14 ga. Stainless Steel Top
- Stainless Steel Legs & Adjustable Undershef
- 1 1/4" Adjustable Stainless Steel Feet



Part #	Length	Width	Product Weight (lbs)
QVT-2424	24"	24"	43.00
QVT-3024	30"	24"	48.00
QVT-3624	36"	24"	57.00
QVT-4824	48"	24"	64.00
QVT-6024	60"	24"	76.00
QVT-7224	72"	24"	88.00
QVT-8424	84"	24"	118.00
QVT-9624	96"	24"	118.00

Part #	Length	Width	Product Weight (lbs)
QVT-3030	30"	30"	55.00
QVT-3630	36"	30"	65.00
QVT-4830	48"	30"	73.00
QVT-6030	60"	30"	90.00
QVT-7230	72"	30"	102.00
QVT-8430	84"	30"	
QVT-9630	96"	30"	151.00



TABLES 7 FT. AND LARGER ARE FURNISHED WITH SIX (6) LEGS

PRODUCT DATA SHEET

BK RESOURCES

