



Self-Leveling Table Glides

Tables & Chairs



Use your smart phone to scan the above QR code to visit our website:
www.bk-resources.com



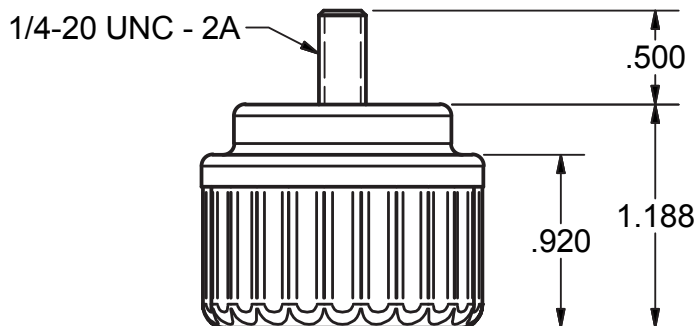
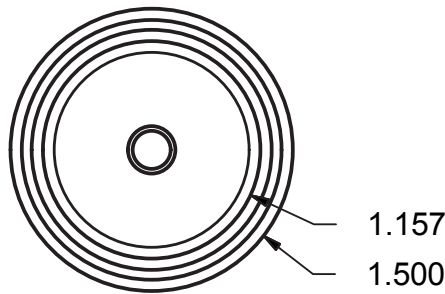
BK-AG

BK-AG-4

Features:

- For Metal Table Bases
- 1/4-20 x 1/2 Thread

Part Number	Description	Product Weight (lbs)
BK-AG	(1) Self-Leveling Table Glide	0.07
BK-AG-4	(4) Self-Leveling Table Glides 4 Pack in POP Box	0.31



PRODUCT DATA SHEET

BK RESOURCES

