



# Underbar Sink - Slim-Line

## Stainless Steel Underbar Sinks



Use your smart phone to scan the above QR code to visit our website:  
www.bk-resources.com

### Certifications:



### Features:

- Integrally Welded Bowls 10"(l) x 14"(w) x 10"(d)
- Stamped and Pitched Drainboards
- Standard 18" Depth
- Includes: BKF-W2-10-G Faucet, BKDR-2 Basket Drains, BK-OT-15075 7" Overflow Tubes
- Stainless Legs Install Directly Into the Sink Body

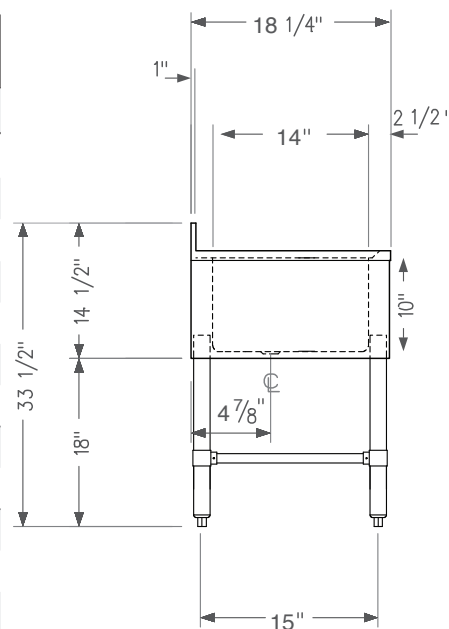
### Material:

- T-304 18 ga. Stainless Steel
- Stainless Steel Legs
- Adjustable High Impact Corrosion Resistant Feet

### Options:

- Upgraded Bullet Feet

Length	Part Number	# of Bowls	Sets of Faucet Holes	Drainboard Size	Product Weight (lbs)
24"	UB4-18-224S	2	1	N/A	
36"	UB4-18-236LS	2	1	(1) L - 12 <sup>3</sup> / <sub>4</sub> "	41.00
	UB4-18-236RS	2	1	(1) R - 12 <sup>3</sup> / <sub>4</sub> "	40.00
48"	UB4-18-336S	3	1	N/A	46.00
	UB4-18-248TS	2	1	(2) - 13 <sup>3</sup> / <sub>16</sub> "	46.00
	UB4-18-348LS	3	1	(1) L - 13 <sup>5</sup> / <sub>8</sub> "	53.00
72"	UB4-18-348RS	3	1	(1) R - 13 <sup>5</sup> / <sub>8</sub> "	53.00
	UB4-18-360TS	3	1	(2) - 13 <sup>1</sup> / <sub>2</sub> "	57.00
84"	UB4-18-372TS	3	1	(2) - 19"	75.00
	UB4-18-472TS	4	2	(2) - 13 <sup>3</sup> / <sub>4</sub> "	70.00
84"	UB4-18-484TS	4	2	(2) - 19"	75.00
	UB4-18-384TS	3	1	(2) - 25"	69.00
96"	UB4-18-496TS	4	2	(2) - 25"	80.00



PRODUCT DATA SHEET