



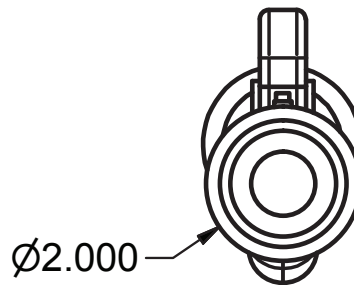
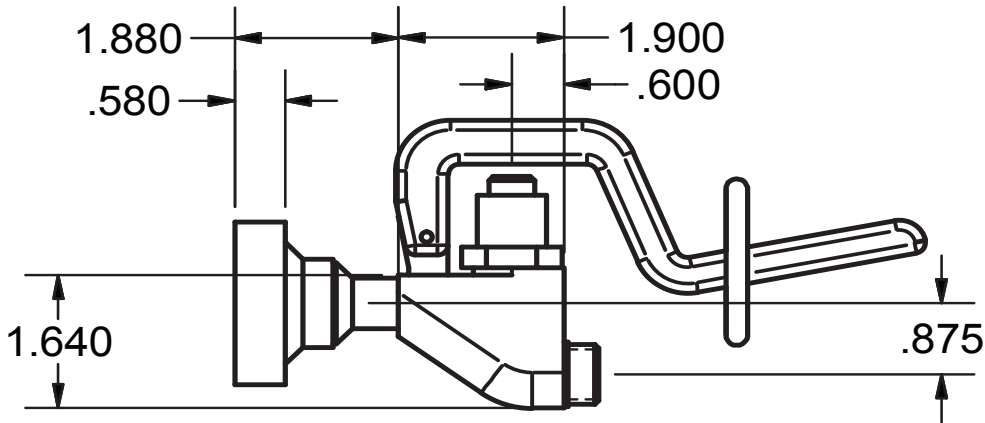
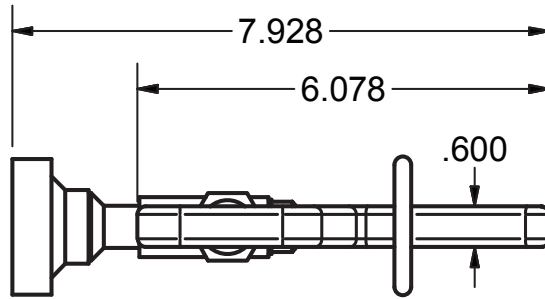
Use your smart phone to scan the above QR code to visit our website: www.bk-resources.com

1.0 GPM Pre-Rinse Spray Head

Model: BK-PRV-1-G, Lead Free



LOW FLOW



Product Specifications:

- Exceed Requirements for CUWCC & FEMP

Certifications:



PRODUCT SPECIFICATION SHEET

RESOURCES



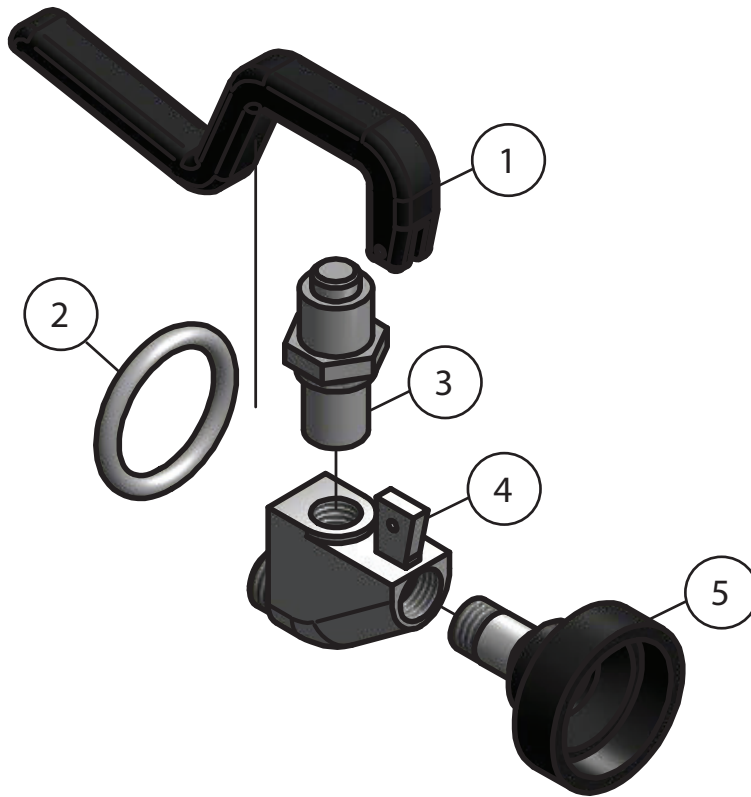


1.0 GPM Pre-Rinse Spray Head

Model: BK-PRV-1-G, Lead Free



LOW FLOW



Exploded Parts Detail:

Diagram #	Quantity	Part Number	Description
1	1	BK-PRV-1-H	Handle
2	1	PRV-1-R	Restraining Ring
3	1	BKKV-010XST	Valve
4	1	PRV-1	Spray Head Body
5	1	PRV-1-SH	Spray Head

