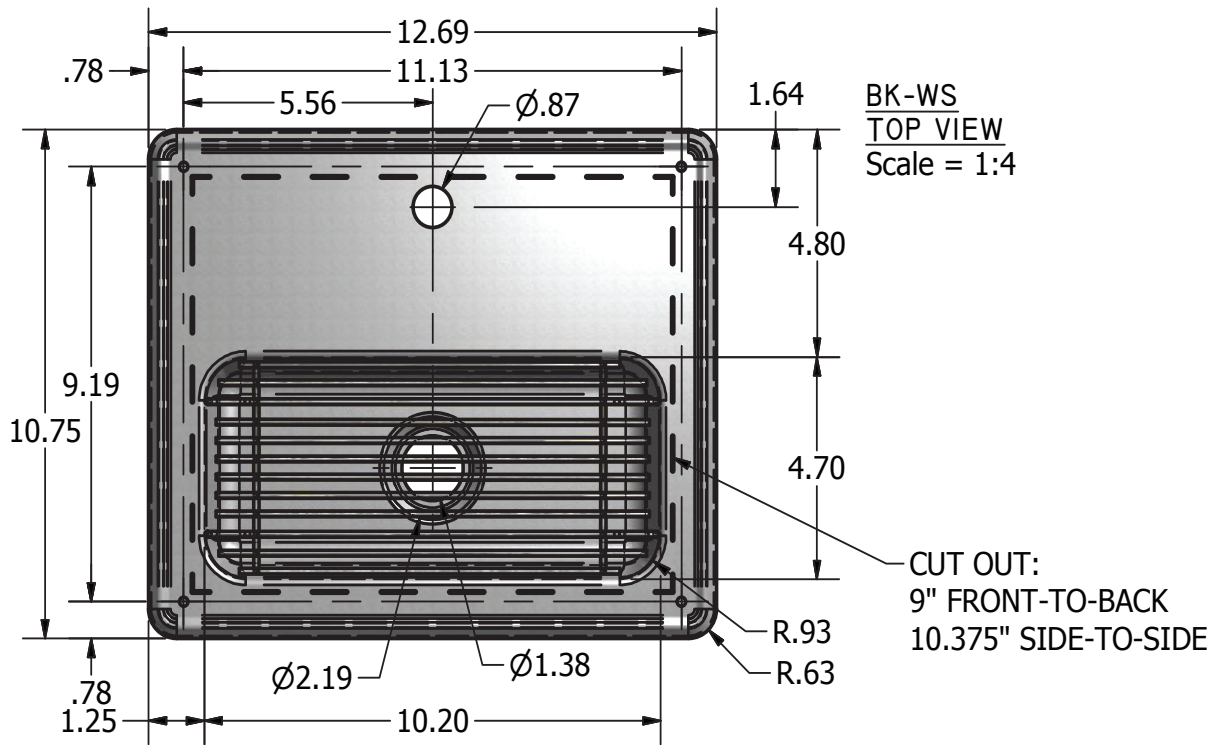
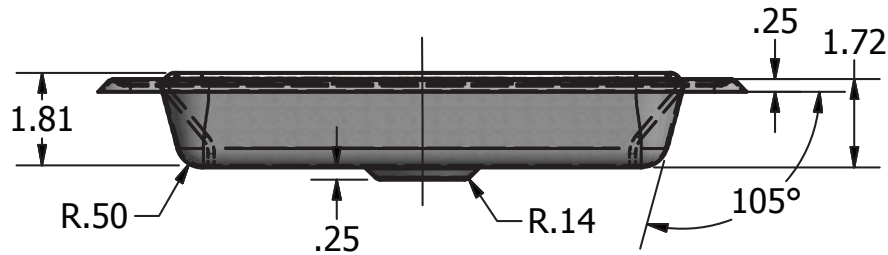




Use your smart phone to scan the above QR code to visit our website: www.bk-resources.com

Glass Filler Water Station Sink Only

Model: BK-WS



Product Specifications:

- T-304 Stainless Steel
- O.A Dimensions 12^{11/16"} (l) x 10^{3/4"} (w) x 1^{3/4"} (h)
- Locking Clip For Continuous Flow

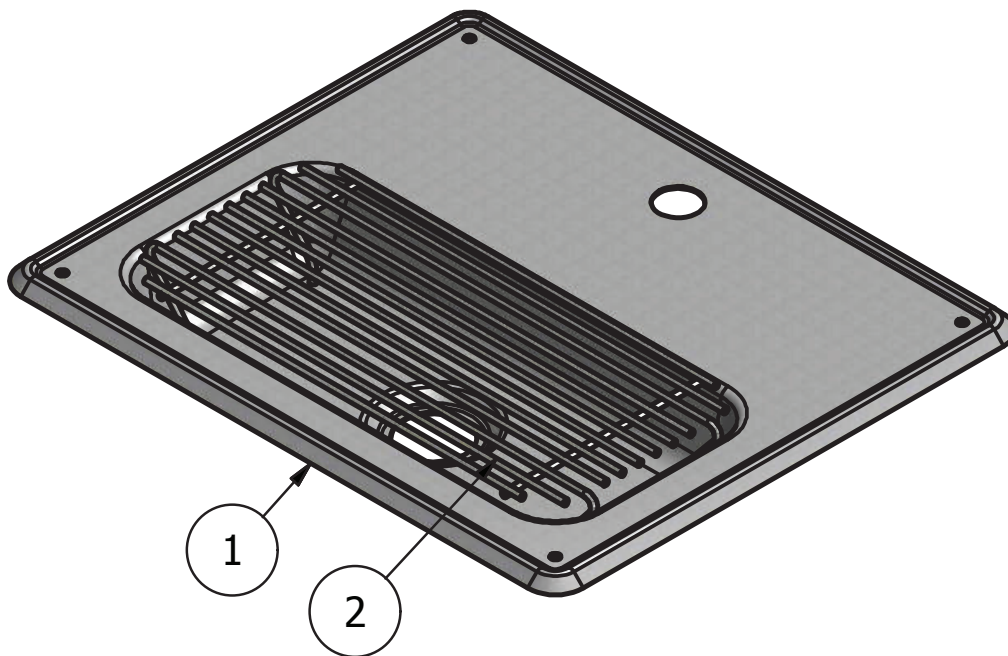
Certifications:





Glass Filler Water Station Sink Only

Model: BK-WS



BK-WS ISO VIEW
Scale = 1:4

Exploded Parts Detail:

Diagram #	Quantity	Part Number	Description
1	1	BK-WS	Water Station
2	1	BK-WS-G	Grate

