



Hard Maple Flat Top Work Tables

Stainless Steel Work Tables



Use your smart phone to scan the above QR code to visit our website:
www.bk-resources.com

Certifications:



Features:

- 1 3/4" Thick Hard Maple Flat Top
- Penetrating Oil Finish
- 34 3/4" Height
- 96" Tables Have 6 Legs
- 1 Year Warranty

Options:

- Single & Double Overshelves
- Drawer Assemblies
- Casters
- Upgraded Bullet Feet
- Adjustable Table Mount Pot Rack

Material:

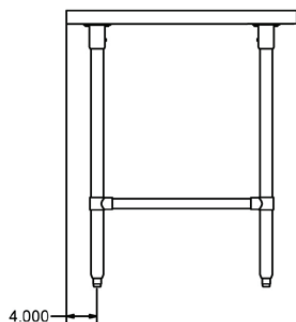
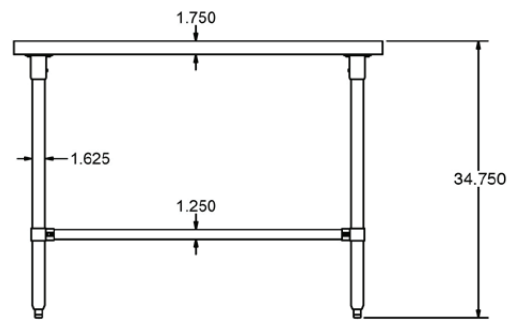
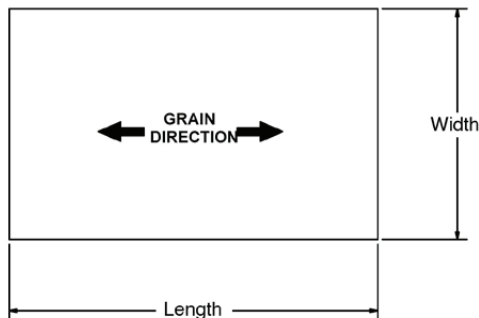
MFTGOB Series: Galvanized Legs

- 1 3/4" Thick Hard Maple Flat Top
- Galvanized Legs
- Adjustable High Impact Corrosion Resistant Feet

MFTSOB Series: Stainless Steel Legs

- 1 3/4" Thick Hard Maple Flat Top
- Stainless Steel Legs
- Adjustable Stainless Steel Feet

MFTGOB Series Galvanized Legs			MFTSOB Series Stainless Steel Legs	
Length	30" Width	36" Width	30" Width	36" Width
48"	MFTGOB-4830	MFTGOB-4836	MFTSOB-4830	MFTSOB-4836
60"	MFTGOB-6030	MFTGOB-6036	MFTSOB-6030	MFTSOB-6036
72"	MFTGOB-7230	MFTGOB-7236	MFTSOB-7230	MFTSOB-7236
96"	MFTGOB-9630	MFTGOB-9636	MFTSOB-9630	MFTSOB-9636



Replacement Tops Only			
Part #	Size: (l x w)	Part #	Size: (l x w)
MFT-4830	48" x 30"	MFT-4836	48" x 36"
MFT-6030	60" x 30"	MFT-6036	60" x 36"
MFT-7230	72" x 30"	MFT-7236	72" x 36"
MFT-9630	96" x 30"	MFT-9636	96" x 36"

PRODUCT DATA SHEET

BK RESOURCES

