



# Food Truck Wash Station

Food Truck



Use your smart phone to scan the above QR code to visit our website:  
www.bk-resources.com

## Certifications:



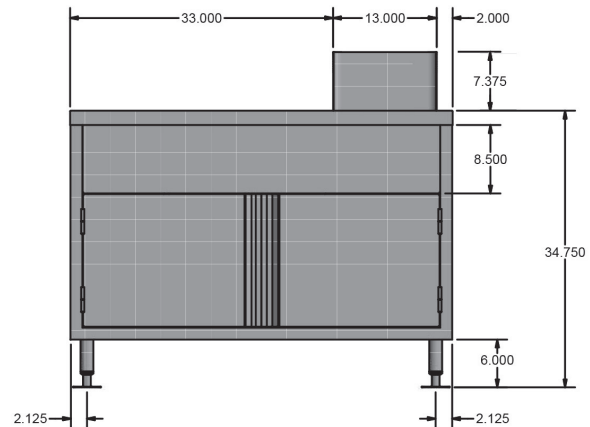
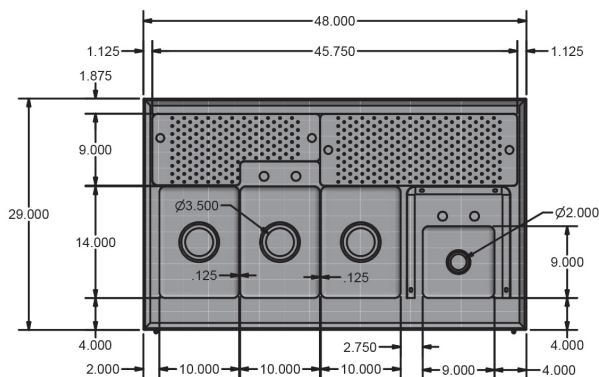
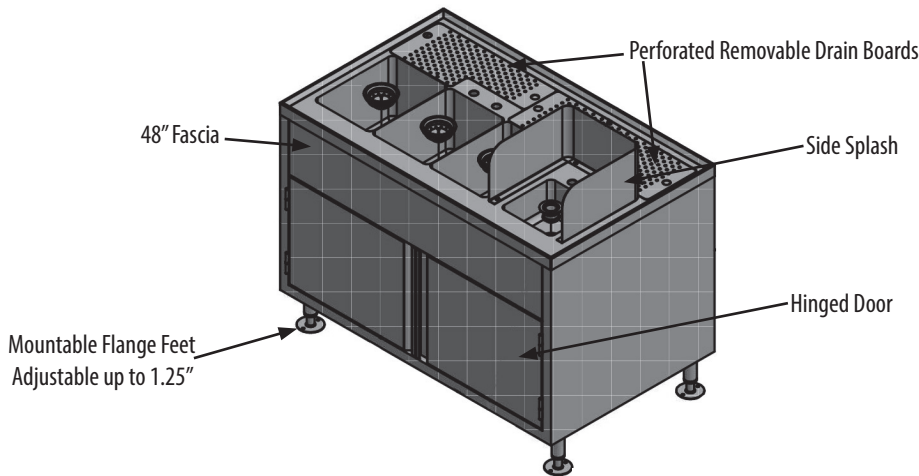
## Features:

- Three Compartment Sink & Hand Washing Sink with Side Splashes All in One Station
- Perforated Removable Drain Board
- Mountable Flange Feet Adjustable up to 1.25"
- Hinged Doors to Access Storage
- Storage Space: 27"l x 44<sup>3/4</sup>"w x 16"h to bottom of bowls (drains will affect spacing)

## Material:

- 14 ga. T-304 Stainless Steel Top
- 18 ga. T-304 Stainless Steel Body
- Stainless Steel Legs

Part Number	Overall Dim. (l x w x h)	Bowl Size Hand Sink (lxwxh)	Product Weight (lbs)
FTWS-4829L	29" x 48" x 42 1/8"	9" x 9" x 5"	186.00



PRODUCT DATA SHEET